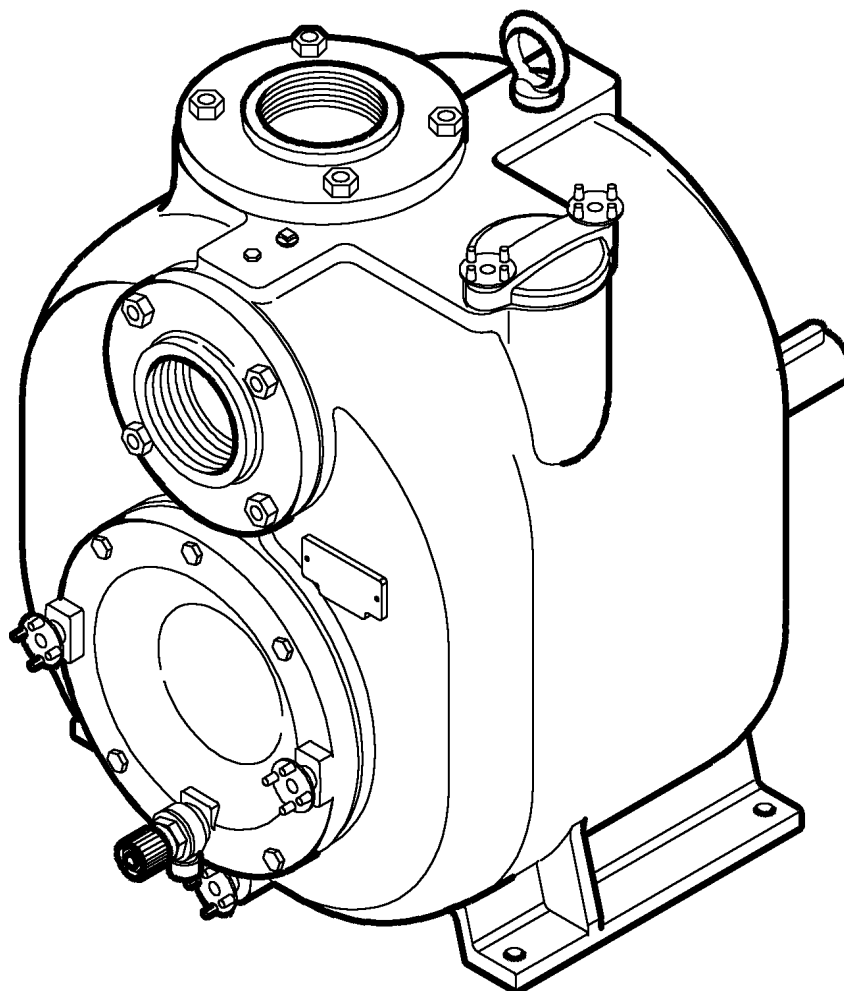


DISTINTA DELLE PARTI COSTITUENTI LE POMPE CENTRIFUGHE AUTODESCANTI SERIE " ST "
SPARE PARTS LIST FOR " ST " SERIES SELF-PRIMING CENTRIFUGAL PUMPS
LISTE DES PIÈCES DE RECHANGE POUR POMPES CENTRIFUGES AUTO-AMORCANTES SERIE " ST "
ERSATZTEILLISTE FÜR SELBSTANSAUGENDE KREISELPUMPEN SERIE " ST "

ST-R2 TWGS	Code 1002 5080
ST-R2 TWFS	Code 1002 6583
ST-R2 TWGS -T-	Code 1002 5721
ST-R2 TWFS -T-	Code 1002 5742



VARISCO S.p.A.

35129 Padova – Z.I. Nord Terza Strada, 9

Tel. 049 82 94 111

Fax 049 82 94 373

+39 049 82 94 111

International +39 049 80 76 762

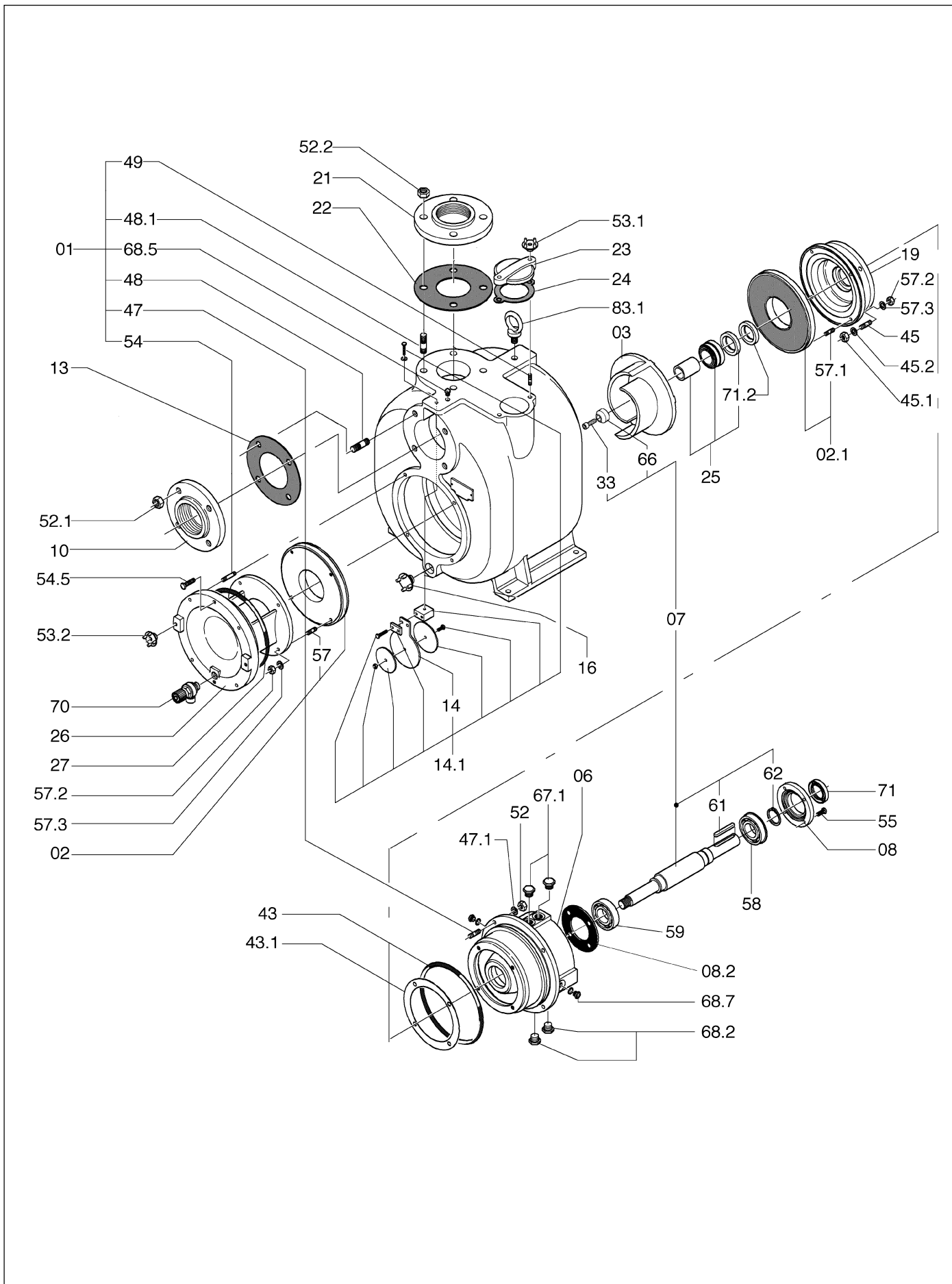


HEMPEL
AntriebsTechnik

+49 (2154) 4989-37 . pumpe@hem-net.de



varisco
solid pumping solutions



VARISCO S.p.A.

35129 Padova – Z.I. Nord Terza Strada, 9

Tel. 049 82 94 111

Fax 049 82 94 373

+39 049 82 94 111

International +39 049 80 76 76



HEMPEL
AntriebsTechnik

+49 (2154) 4989-37 . pumpen@hem-net.de



varisco
solid pumping solutions

Rif. N°. Pos. Nr. Ref. no. Réf. N°.	Quant.	Denominazione	Part name	Den. Comm. Type	Mat.*	Codice Part. no. Code Best. Nr.	ST-R2 TWGS	ST-R2 TWFS	ST-R2 TWGS -T-	ST-R2 TWFS -T-
01	1	Corpo (1)	Casing (1)		GS	1002 8753	☼		☼	
					GS	1002 7854		☼		☼
02	1	Piatto d'usura (2)	Wear plate (2)		GN	1002 8761	☼		☼	
					G	1002 8762		☼		☼
02.1	1	Piatto d'usura (3)	Wear plate (3)		GN	1002 8763	☼		☼	
					G	1002 8764		☼		☼
03	1	Girante	Impeller		GS	1002 5061	☼		☼	
					K	1002 5738		☼		☼
06	1	Supporto	Bearing housing		G	1002 4969	☼	☼	☼	☼
07	1	Albero (4)	Shaft (4)		S3	1002 5068	☼			
					S3	10024969			☼	
					K7	1002 6580		☼		
					K7	1002 5723				☼
08	1	Copricuscinetto	Bearing cover		G	1002 4976	☼	☼	☼	☼
08.2 (**)	1	Guarnizione	Gasket							
10	1	Portavalvola	Suction flange	R 2" R 2" NPT	G	1002 5129	☼	☼		
					G	1002 5132			☼	☼
13 (**)	1	Guarnizione	Gasket							
14.1	1	Valvola completa (5)	Check valve ass. (5)		NK	1002 4982	☼		☼	
					VK	1002 5725		☼		☼
16	2	Tappo	Plug		S	1002 4985	☼		☼	
					K	1000 2418		☼		☼
17 (**)	2	Guarnizione	Gasket	3/4"						
19	1	Portamotore	Head		G	1002 5066	☼	☼	☼	☼
21	1	Flangia di mandata	Discharge flange	R 2" R 2" NPT	G	1002 5130	☼	☼		
					G	1002 5133			☼	☼
22 (**)	1	Guarnizione	Gasket							
23	1	Portina	Cover		G	1000 6473	☼	☼	☼	☼
24 (**)	1	Guarnizione	Gasket							
25	1	Tenuta completa	Mechanical seal	T40 WWV		1002 6588	☼	☼	☼	☼
26	1	Portina	Cover		G	1002 4972	☼	☼	☼	☼
27 (**)	1	O-Ring	O-Ring	OR 226						
33	1	Vite bloccagirante	Impeller screw	M12 x 30 DIN 912	K	1001 6093	☼	☼	☼	☼
43 (**)	1	O-Ring	O-Ring	OR 226						
43.1 (**)	1	Guarnizione	Gasket	126x166x0,5						
45	4	Prigioniero	Stud	M 8 x 20 DIN 938	K	1000 1843	☼	☼	☼	☼
45.1 (*)	4	Dado	Nut	M 8 DIN934	K		☼	☼	☼	☼
45.2(*)	4	Rondella	Washer	M 8 DIN127	K		☼	☼	☼	☼
47	4	Prigioniero	Stud	M 8X20 DIN933			☼	☼	☼	☼
47.1	4	Rondella	Washer	M 8 DIN127			☼	☼	☼	☼
48 (*)	4	Prigioniero	Stud	M18X40 DIN938	S		☼		☼	
				M18X40 DIN938	K			☼		☼
48.1 (*)	4	Prigioniero	Stud	M18X40 DIN938	S		☼		☼	
				M18X40 DIN938	K			☼		☼
49 (*)	2	Prigioniero	Stud	M10X30 DIN938	S		☼		☼	
					K			☼		☼
52	4	Dado	Nut	M 8 DIN934	K		☼	☼	☼	☼
52.1 (*)	8	Dado	Nut	M18 DIN934	S		☼		☼	
					K			☼		☼
52.2 (*)	8	Dado	Nut	M18 DIN934	S		☼		☼	
					K			☼		☼

VARISCO S.p.A.

35129 Padova – Z.I. Nord Terza Strada, 9

Tel. 049 82 94 111

Fax 049 82 94 373

+39 049 82 94 111
International +39 049 80 76 762



HEMPEL
AntriebsTechnik

+49 (2154) 4989-37 . pumpen@hem-net.de



varisco
solid pumping solutions

Rif. N°. Pos. Nr. Ref. no. Réf. N°.	Quant.	Denominazione	Part name	Den. Comm. Type	Mat.*	Codice Part. no. Code Best. Nr.	ST-R2 TWGS	ST-R2 TWFS	ST-R2 TWGS -T-	ST-R2 TWFS -T-
53.1(*)	2	Maniglietta	Wrench	M10	OTS		☼	☼	☼	☼
54(*)	2	Prigioniero	Stud	M12X30 DIN938	S K		☼	☼	☼	☼
54.5 (*)	2	Vite	Screw	M10X20 DIN912	S K		☼	☼	☼	☼
55	4	Vite	Screw	M8 x 25 DIN 933	S	100019387	☼	☼	☼	☼
57 (*)	4	Prigioniero	Stud	M8X20 DIN938	K		☼	☼	☼	☼
57.1 (*)	4	Prigioniero	Stud	M8X20 DIN938	K		☼	☼	☼	☼
57.2 (*)	8	Dado	Nut	M8 DIN934	K		☼	☼	☼	☼
57.3	8	Rondella	Washer	M8 DIN127	K		☼	☼	☼	☼
58	1	Cuscinetto	Ball bearing	3208 NR CN	S	1002 5077	☼	☼	☼	☼
59	1	Cuscinetto	Ball bearing	6208 Z CN	S	1001 7922	☼	☼	☼	☼
61	1	Linguetta	Key	8x7x50 DIN 6885A 1/4"x1/4"x2" 303SS	S H	1000 1594 1002 6428	☼	☼	☼	☼
62	1	Anello seeger	Lock ring	D. 40 UNI7435	S	1001 7915	☼	☼	☼	☼
66	1	Rondella	Washer		K	1002 4978	☼	☼	☼	☼
67.1	2	Tappo	Plug	1/4"		1002 5074	☼	☼	☼	☼
68.2	2	Tappo	Plug	1/4"	S	1000 2379	☼	☼	☼	☼
68.5 (*)	1	Tappo	Plug	1/4"			☼	☼	☼	☼
68.7	2	Indicatore livello	Oil sight	1/4"		1002 5076	☼	☼	☼	☼
70	1	Valvola di sfiato	Relief valve	1/2" 6 bar		1002 1203	☼	☼	☼	☼
71	2	Paraolio	Oil seal	40x62x7		1002 5078	☼	☼	☼	☼
71.2	1	Paraolio	Oil seal	40x62x7		1000 1271	☼	☼	☼	☼
83.1 (*)	1	Golfare	Eye bolt	DIN580			☼	☼	☼	☼
(*)		Serie viterie	Set of screws			1002 4986 1002 5736	☼	☼	☼	☼
(**)		Serie guamizioni	Set of gaskets			1002 4993 1002 5736	☼	☼	☼	☼

Note:

- 1) Completo di prigionieri (47, 48, 48.1, 49, 54) e tappo (68.5)
- 2) Completo di prigionieri (57,57.2,57.3)
- 3) Completo di prigionieri (57.1,57.2,57.3)
- 4) Completo di linguetta (61), vite (33), rondella (66) e seeger (62).
- 5) Comprende valvola, contrappesi, vite e dado.

* Materiali di costruzione

G = Ghisa
GS = Ghisa sferoidale
H = Acciaio inox AISI 304
K = Acciaio inox AISI 316
N = Gomma nitrile
OTS = Ottone
S Acciaio =
S3 = Acciaio 38NiCrMo4
V = Viton

S Steel =

Ordinare il materiale indicando sempre la quantità, la denominazione, il codice del pezzo, il tipo ed il numero della pompa.

Notes:

- 1) Complete with studs (47, 48, 48.1, 49, 54) and plug (68.5)
- 2) Complete with studs (57,57.2,57.3)
- 3) Complete with studs (57.1,57.2,57.3)
- 4) Complete with key (61), nut (33), washer (66) and lock ring (62)
- 5) Complete with check valve, weights, screw and nut.

* Construction materials

G = Cast iron
GS = Ductile cast iron
H = AISI 304 stainless steel
K = AISI 316 stainless steel
N = Nitrile rubber
OTS = Brass
S Steel =
S3 = 38NiCrMo4 Steel
V = Viton

When ordering spares always indicate type and serial number of pump, quantity, part name, and number.

VARISCO S.p.A.

35129 Padova – Z.I. Nord Terza Strada, 9

Tel. 049 82 94 111

Fax 049 82 94 373

+39 049 82 94 111

International +39 049 80 76 762



HEMPEL
Antriebs-Technik

+49 (2154) 4989-37 . pumpe@hem-net.de



varisco
solid pumping solutions