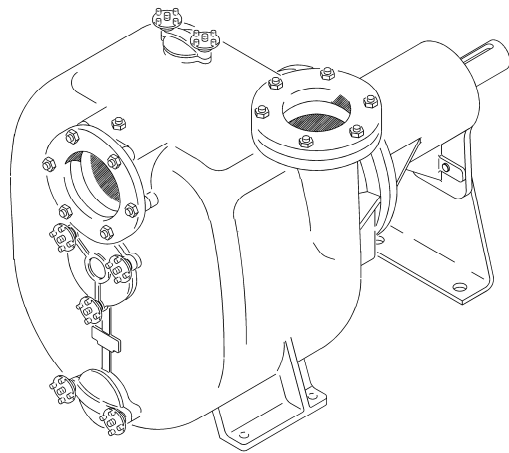
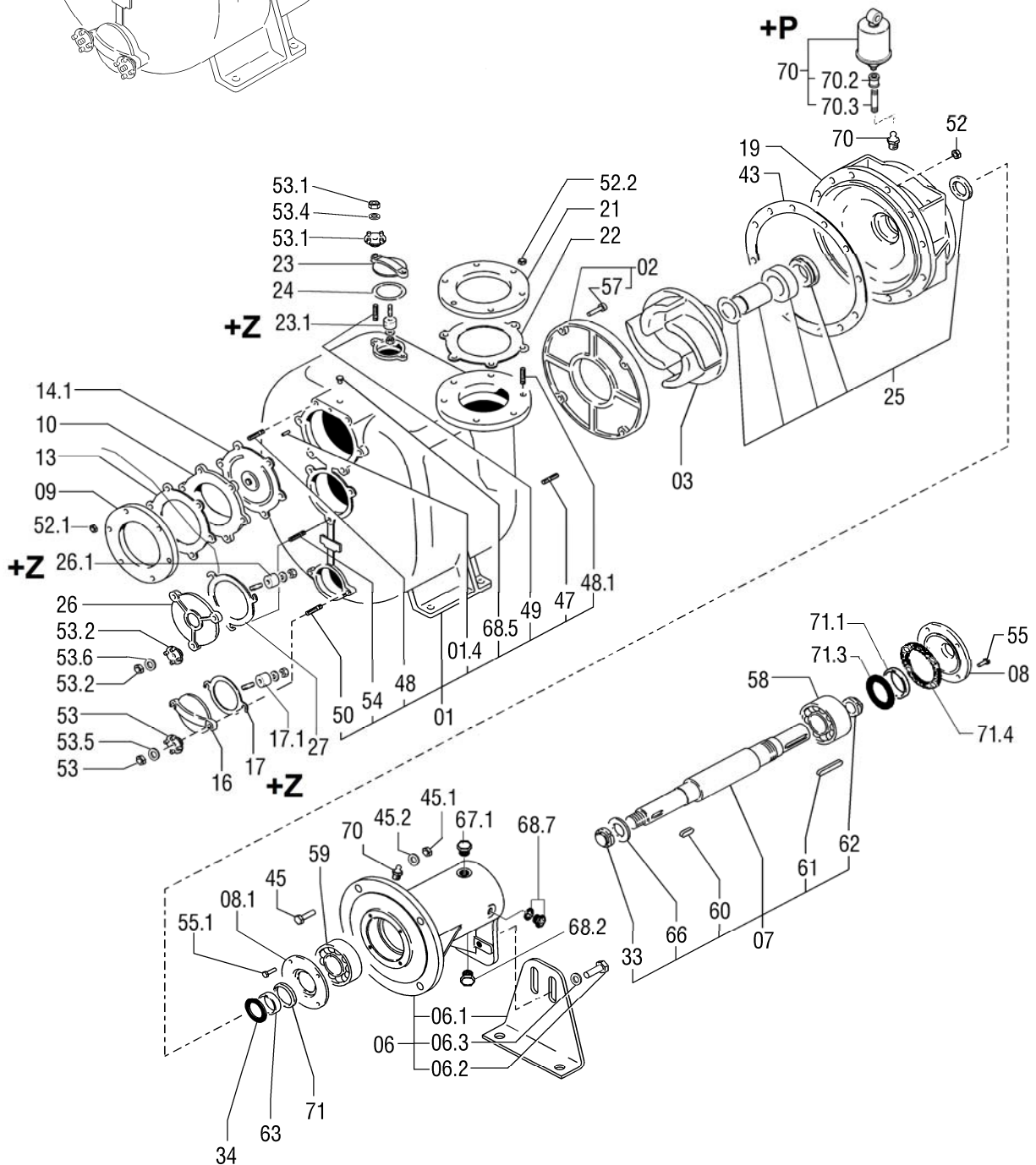


## DISTINTA DELLE PARTI COSTITUENTI LE POMPE CENTRIFUGHE AUTOADESCANTI SERIE " J "

### SPARE PARTS LIST FOR "J" SERIES SELF-PRIMING PUMPS



JS 6-400 G10	COD.1000 9784
JS 6-400 G20	COD.1003 5173
JS 6-400 Q10	COD.1001 6110
JS 6-400 B10	COD.1003 5180
JS 6-400 F10	COD.1003 5186
JS 6-400 P10	COD.1001 6111
JS 6-400 P30	COD.1003 5179
JS 6-400 K10	COD.1001 9971



VARISCO S.p.A.  
 35129 Padova - Z.I. Nord Terza Strada, 9  
 Tel. 049 82 94 111  
 Fax 049 82 94 373

International +39 049 80 76 762



**HEMPEL**  
 AntriebsTechnik

+49 (2154) 4989-37 - pumpe@hem-net.de



**varisco**  
 solid pumping solutions

Rif. N°. Pos. Nr.	Quant.	Denominazione	Part name	Den. Comm.	Type	Mat.*	Codice Nuovo New Part no.	JS 6-400 G10	JS 6-400 G20	JS 6-400 Q10	JS 6-400 B10	JS 6-400 F10	JS 6-400 P10	JS 6-400 P30	JS 6-400 K10
01	1	Corpo (1)	Casing (1)			GS	1001 9837	○	○			○	○	○	○
						GS	1005 3760			○					
						B	1005 3759				○				
						K	1001 9838								○
01.4(*)	1	Spina	Spring pin	UNI 6873	5 x 10			○	○	○	○	○	○	○	○
02	1	Piatto d'usura (2)	Wear plate (2)			GN	1001 9839	○	○						
						G	1001 9840						○	○	
						B	1001 9841			○	○				
						K	1001 9842					○			○
03	1	Girante	Impeller			GS	1000 5364	○	○				○	○	
						B	1001 6094			○	○				
						K	1001 9791					○			○
06	1	Supporto (3)	Bearing housing (3)			G	1000 9060	○	○	○	○	○	○	○	○
06.1	1	Piede supporto	Base			S	1000 6147	○	○	○	○	○	○	○	○
06.2	1	Vite	Screw	M 16x35	DIN 933	S	1000 1972	○	○	○	○	○	○	○	○
06.3	1	Rondella	Washer	M 16	UNI 1751/52 A	S	1000 1683	○	○	○	○	○	○	○	○
07	1	Albero (4)	Shaft (4)			S3	1003 4774	○	○				○	○	
						K7	1003 2853			○	○	○			○
08	1	Copricuscinetto	Bearing cover			G	1003 5832	○	○	○	○	○	○	○	○
08.1	1	Copricuscinetto	Bearing cover			G	1003 2859	○	○	○	○	○	○	○	○
09	1	Flangia aspirazione	Suction flange	DN 150	D.I. 1882	S	1000 1499	○	○	○	○		○	○	
						K	1000 1545					○			
10	1	Portavalvola	Suction flange			G	1000 6431	○	○				○	○	
						OTS	1000 6402			○	○			○	
						K	1000 6452								
								<b>+F</b>	<b>+F</b>	<b>+F</b>	<b>+F</b>	<b>+F</b>	<b>+F</b>	<b>+F</b>	<b>+F</b>
13 (**)	1	Guarnizione	Gasket	150 x 285 x 3											
14.1	1	Valvola completa	Check valve ass.			NG	1000 9026	○	○		○				
						VK	1000 9036			○		○	○	○	○
16	1	Portina	Cover			G	1000 6475	○	○				○	○	
						GZ	1000 8504	<b>+Z</b>	<b>+Z</b>	○					
						K	1000 6504					○			
						B	1000 6468					○			○
16.1	2	Placca zinco				Z		<b>+Z</b>	<b>+Z</b>	○					
17 (**)	1	Guarnizione	Gasket												
19	1	Portamotore	Head			GS	1001 6083	○	○	○		○	○	○	
						B	1003 3728				○				
						K	1001 9879								○
21	1	Flangia di mandata	Discharge flange	DN 150	D.I. 1882	S	1000 1481	○	○	○	○	○	○	○	
						K	1000 1545								
								<b>+F</b>	<b>+F</b>	<b>+F</b>	<b>+F</b>	<b>+F</b>	<b>+F</b>	<b>+F</b>	<b>+F</b>
22 (**)	1	Guarnizione	Gasket	150 x 285 x 3											
23	1	Portina	Cover			G	10006474	○	○			○	○	○	
						GZ	1000 8503	<b>+Z</b>	<b>+Z</b>	○					
						B	1000 6470					○			
						K	1000 6503								
23.1	1	Placca zinco				Z		<b>+Z</b>	<b>+Z</b>	○	○				
24 (**)	1	Guarnizione	Gasket	72 x 95 x 3											
25	1	Tenuta completa	Mechanical seal	T 65	YYV		1004 4414	○		○	○	○	○		○
							1003 5859			○					
							1004 8381								○
26	1	Portina	Cover			G	1000 6477	○	○			○	○	○	
						GZ	1000 8505	<b>+Z</b>	<b>+Z</b>	○					
						OTS	1000 3751					○			
						K	1000 6505								
26.1	1	Placca zinco				Z		<b>+Z</b>	<b>+Z</b>	○					
27 (**)	1	Guarnizione	Gasket												
33	1	Dado bloccagirante	Impeller nut	M 42 x 3	UNI 7474	K	1000 6936	○	○	○	○	○	○	○	○
34	1	O-ring	O-ring	3218			1002 2890	○	○	○	○	○	○	○	○
43	1	Guarnizione corpo	Casing gasket	401 x 479 x 0,5											

VARISCO S.p.A.

35129 Padova - Z.I. Nord Terza Strada, 9

Tel. 049 82 94 111

Fax 049 82 94 373

International +39 049 80 76 762

+39 049 82 94 111



**HEMPEL**  
Antriebs-Technik

+49 (2154) 4989-37 - pumpen@hem-net.de



**varisco**  
solid pumping solutions

Rif. N° Pos. Nr.	Quant.	Denominazione	Part name	Den. Comm. Type	Mat.*	Codice Nuovo New Part no.	JS 6-400 G10	JS 6-400 G20	JS 6-400 Q10	JS 6-400 B10	JS 6-400 F10	JS 6-400 P10	JS 6-400 P30	JS 6-400 K10
45	4	Vite	Screw	M 16 x 60 DIN 931	S	1000 1976	○	○			○	○		
					K	1000 2065			○	○				○
45.1	4	Dado	Nut	M 16 DIN 934	S	1000 1425	○	○			○	○		
					K	1000 1442			○	○				○
45.2	4	Rondella	Washer	M 16 UNI 1751/52 A M16 DIN 127	S	1000 1683	○	○			○	○		
					K	1000 1686			○	○				○
47 (*)	12	Prigioniero	Stud	M 16 x 40 DIN 938	S		○	○			○	○		
					K				○	○				○
48 (*)	6	Prigioniero	Stud	M 16 x 50 DIN 938 M 16 x 55 DIN 938	S		○	○			○	○		
					K				○	○				○
48.1 (*)	6	Prigioniero	Stud	M 16 x 35 DIN 938	S		○	○			○	○		
					K				○	○				○
49 (*)	2	Prigioniero	Stud	M 10 x 35 DIN 938	S		○	○			○	○		
					K				○	○				○
50 (*)	2	Prigioniero	Stud	M 12 x 35 DIN 938	S		○	○			○	○		
					K				○	○				○
52 (*)	12	Dado	Nut	M 16 DIN 934	S		○	○			○	○		
					H				○	○				○
52.1 (*)	6	Dado	Nut	M 16 DIN 934	S		○	○			○	○		
					H				○	○				○
52.2 (*)	6	Dado	Nut	M 16 DIN 934	S		○	○			○	○		
					H				○	○				○
53 (*)	2	Maniglia	Wrench	M 12	OTS		○	○	○	○		○	○	
		Dado	Nut	M12 DIN 934	K						○			○
53.1 (*)	2	Maniglia	Wrench	M 10	OTS		○	○	○	○		○	○	
		Dado	Nut	M 10 DIN 934	K						○			○
53.2 (*)	3	Maniglia	Wrench	M 12	OTS		○	○	○	○		○	○	
		Dado	Nut	M 12 DIN 934	K						○			○
53.4 (*)	2	Rondella	Washer	M 10	K						○			○
53.5 (*)	2	Rondella	Washer	M 10	K						○			○
53.6 (*)	3	Rondella	Washer	M 12	K						○			○
54 (*)	3	Prigioniero	Stud	M 12 x 35 DIN 938	S		○	○			○	○		
					K				○	○				○
55	4	Vite	Screw	M8 x 35 DIN 933	S	1000 1940	○	○	○	○	○	○	○	○
55.1	4	Vite	Screw	M8 x 20 DIN 933	S	1000 1937	○	○	○	○	○	○	○	○
57 (*)	4	Vite	Screw	M12 x 30 DIN 912	H		○	○			○	○		
					K				○	○				○
58	1	Cuscinetto	Ball bearing	3313	S	1000 1351	○	○	○	○	○	○	○	○
59	1	Cuscinetto	Ball bearing	NU 312 E	S	1000 1405	○	○	○	○	○	○	○	○
60	1	Linguetta	Key	16 x 10 x 45 DIN 6885A	K	1000 1635	○	○	○	○	○	○	○	○
61	1	Linguetta	Key	16 x 10 x 90 DIN 6885A	S	1000 1603	○	○	○	○	○	○	○	○
62	1	Ghiera	Lock ring	M 65	S	1000 1577	○	○	○	○	○	○	○	○
63	1	Ghiera	Sleeve		K	1003 2857	○	○	○	○	○	○	○	○
66	1	Rondella	Washer	M 42 DIN 125A	H	1000 6921	○	○			○	○		
					K	1000 6928			○	○	○			○
67.1	1	Tappo	Plug	1/2"		1004 6838	○	○	○	○	○	○	○	○
68.2	1	Tappo	Plug	1/2"		1000 2385	○	○	○	○	○	○	○	○
68.3 (**)	1	Guarnizione	Gasket	1/2"			○	○	○	○	○	○	○	○
68.7	1	Indicatore livello	Oil sight	1/2"		1004 6836	○	○	○	○	○	○	○	○
68.5	1	Tappo	Plug	1/4"	S	1000 2379	○	○	○		○	○		
				1/4" DIN 908	K	1000 2414					○			○
68.6	1	Guarnizione	Gasket	1/4" DIN 908		1000 5657					○			○
70 (*)	1	Ingrassatore	Grease nipple	1/4"		1000 1662	○	○	○	○	○	○	○	○
		Cartuccia Perma	Perma cartridge			1000 8316	+P	+P	+P	+P	+P	+P	+P	+P
70.2 (*)	1	Manicotto	Union	1/4"	S		+P	+P	+P	+P	+P	+P	+P	+P
70.3 (*)	1	Prolunga	Grease tube	1/4"	S		+P	+P	+P	+P	+P	+P	+P	+P
71	1	Paraolio	Oil seal	75 x 100 x 10		1000 1276	○	○	○	○	○	○	○	○
71.1	1	Paraolio	Oil seal	60 x 80 x 8		1003 2413	○	○	○	○	○	○	○	○
71.3	1	O-ring	O-ring	4575		1002 2873	○	○	○	○	○	○	○	○
71.4		Guarnizione	Gasket		D	1003 5166	○	○	○	○	○	○	○	○

VARISCO S.p.A.

35129 Padova - Z.I. Nord Terza Strada, 9

Tel. 049 82 94 111

Fax 049 82 94 373

International +39 049 80 76 762

+39 049 82 94 111



**HEMPEL**  
Antriebs-Technik

+49 (2154) 4989-37 - pumpen@hem-net.de



**varisco**  
solid pumping solutions

Rif. N°. Pos. Nr.	Quant.	Denominazione	Part name	Den. Comm. Type	Mat.*	Codice Nuovo New Part no.	JS 6-400 G10	JS 6-400 G20	JS 6-400 Q10	JS 6-400 B10	JS 6-400 F10	JS 6-400 P10	JS 6-400 P30	JS 6-400 K10
(*)	1	Serie viterie	Set of screws			1001 6154 1001 6037 1001 9799	○	○	○	○	○	○	○	○
(**)	1	Serie guarnizioni	Set of gaskets		N V V	1001 6171 1001 9798 1001 6182	○	○	○	○	○	○	○	○
+F***		Kit flange	Kit flange	DN 150 PN16 DN 150 PN16 6" ASA150	G B G	1004 4977 1004 5099 1004 5100	○	○	○	○	○	○	○	○
+P***		Kit ingrassatore	Compl. Grease kit			1000 8316	○	○	○	○	○	○	○	○
+Z***		Kit portine	Set of couver		GZ	1001 6178	○	○	○					
***		Optional												

Note:	Notes:
1) Completo di prigionieri (47, 48, 48.1, 49, 50, 54) tappo (68.5), spina (01.4).	1) Complete with studs (47, 48, 48.1, 49, 50, 54), plug (68.5), spring pin (01.4).
2) Completo di viti (57)	2) Complete with screws (57)
3) Completo di supporto (06), piede (06.1), vite (06.2) e rondella (06.3).	3) Complete with bearing housing (06), foot (06.1), screw (06.2) and washer (06.3).
4) Completo di linguette (60, 61), dado (33), rondella (66) e ghiera (62).	4) Complete with keys (60, 60.1), nut (33), washer (66) and lock ring (62).
* Materiali di costruzione	* Construction materials
B = Bronzo	B = Bronze
D = Guarnital	D = Guarnital
E3 = Centellen VS 3820	E3 = Centellen VS 3820
G = Ghisa	G = Cast iron
GS = Ghisa sferoidale	GS = Ductile cast iron
H = Acciaio inox AISI 304	H = AISI 304 stainless steel
K = Acciaio inox AISI 316	K = AISI 316 stainless steel
N = Gomma nitrile	N = Nitrile rubber
OTS = Ottone	OTS = Brass
V = Viton	V = Viton
S = Acciaio	S = Steel
Z = Zinco	Z = Zinc
Ordinare il materiale indicando sempre la quantità, la denominazione, il codice del pezzo, il tipo e il numero della pompa.	When ordering spares always indicate: quantity, part name and part number, type and serial number of pump.

VARISCO S.p.A.

35129 Padova - Z.I. Nord Terza Strada, 9

Tel. 049 82 94 111

Fax 049 82 94 373

International +39 049 82 94 111  
+39 049 80 76 762



**HEMPEL**  
AntriebsTechnik

+49 (2154) 4989-37 - pumpe@hem-net.de



**varisco**  
solid pumping solutions