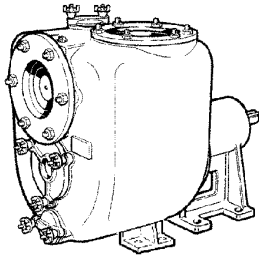
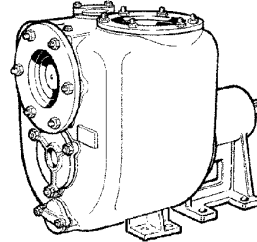


DISTINTA DELLE PARTI COSTITUENTI LE POMPE CENTRIFUGHE AUTOADESCANTI SERIE " J "

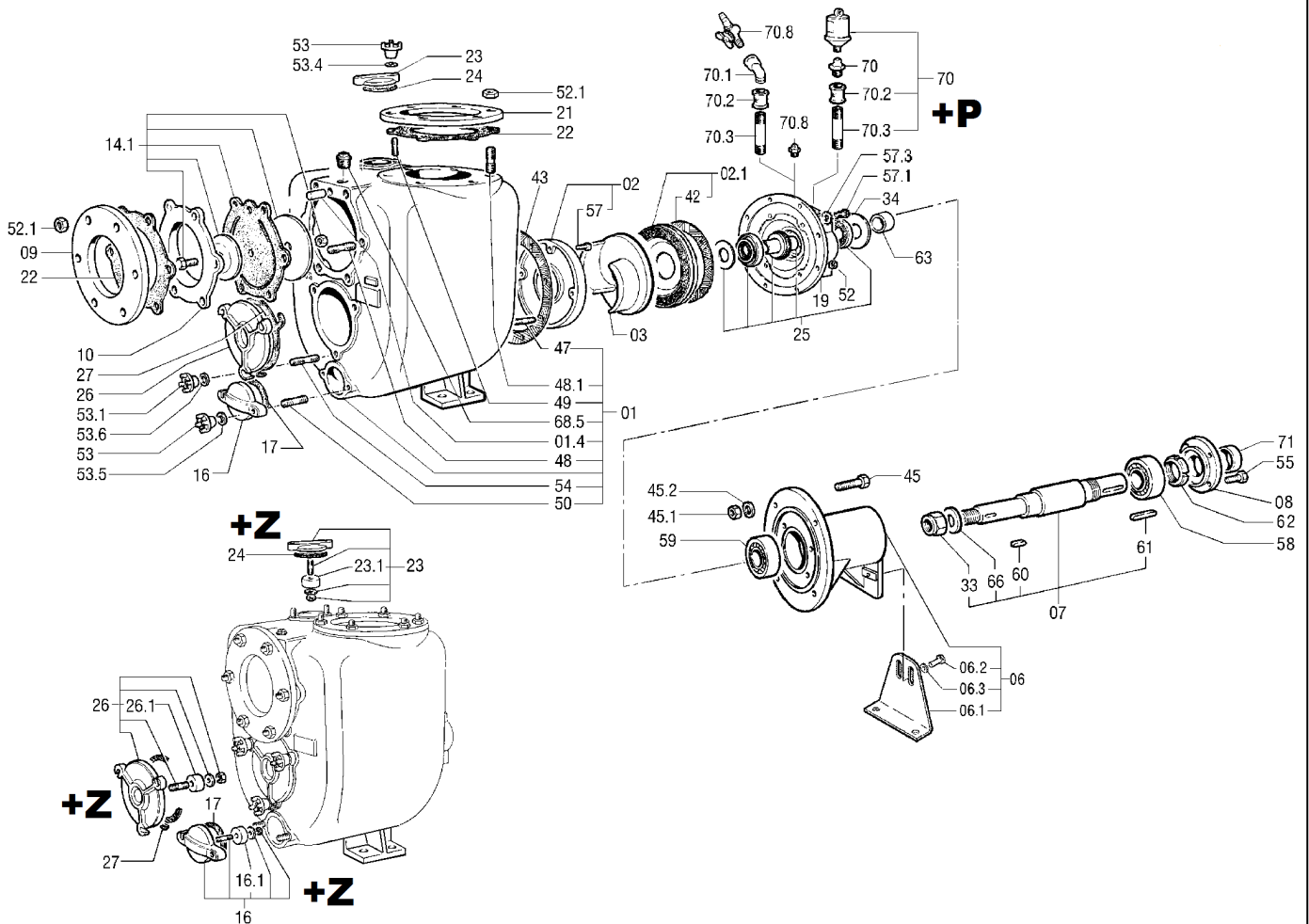
SPARE PARTS LIST FOR " J " SERIES SELF-PRIMING PUMPS



JS 6-250 G10	Code 4810021235
JS 6-250 Q10	Code 4810021267
JS 6-250 B10	Code 4810021280
JS 6-250 P10	Code 4810025397
JS 6-250 G20	Code 4810037057
JS 6-250 G11	Code 4810031837
JS 6-250 P30	Code 4810025397
JS 6-250 D11	Code 4810053105



JS 6-250 F10	Code 4810021295
JS 6-250 K10	Code 4810021337
JS 6-250 K20	Code 4810030454



Rif. N°. Pos. Nr.	Quant.	Denominazione	Part name	Den. Comm. Type	Mat. *	Codice Nuovo New Part. No.	JS 6-250 G10	JS 6-250 G20	JS 6-250 G11	JS 6-250 P10	JS 6-250 P30	JS 6-250 F10	JS 6-250 Q10	JS 6-250 B10	JS 6-250 K10	JS 6-250 K20	JS 6-250 D11					
01	1	Corpo (1)	Casing (1)		G	4810023930	○	○	○	○	○											
					G+N2	4810053155															○	
					G	4810045063									○	○						
					B	4810023931												○				
					KL	4810023932													○	○		
01.4	1	Spina	Spring pin	UNI 6873 5 x 10	S	4810001775	○	○	○	○	○	○	○	○	○	○	○	○				
02	1	Piatto d'usura (2)	Wear plate (2)		GN	4810008429	○	○	○													
					G	4810008433				○	○											
					G+N1	4810053158																○
					B	4810008405										○	○					
					KL	4810070635										○			○	○		
02.1	1	Piatto d'usura (3)	Wear plate (3)		GN	4810023925	○	○	○													
					G	4810023926				○	○											
					G+N1	4810053160																○
					B	4810023927										○	○					
					KL	4810067304										○			○	○		
03	1	Girante	Impeller		GS	4810005458	○	○	○	○	○											
					GS+N4	4810051636															○	
					B	4810005447										○	○					
					KL	4810061730										○			○	○		
06	1	Supporto completo (4)	Bearing housing compl. (4)		G	4810021227	○	○	○	○	○	○	○	○	○	○	○					
06.1	1	Piede supporto	Bearing housing foot		S	4810021223	○	○	○	○	○	○	○	○	○	○	○					
06.2	2	Vite	Screw	M14 x 25 DIN 933	S	4810002018	○	○	○	○	○	○	○	○	○	○	○					
06.3	2	Rondella	Washer	M14 UNI1751/52 A	S	4810001682	○	○	○	○	○	○	○	○	○	○	○					
07	1	Albero (5)	Shaft (5)		S3	4810021225	○	○	○	○	○							○				
					K5	4810021264															○	
08	1	Copricuscinetto	Bearing cover		G	4810004775	○	○	○	○	○	○	○	○	○	○	○					
09	1	Flangia aspirazione	Suction flange	DN 150 D.I. 1882	S	4810001499	○	○	○	○	○	○	○	○	○	○	○	○				
					K	4810021144															○	
10	1	Portavalvola	Suction flange		G	4810006431	○	○	○	○	○	○							○			
					OTS	4810006402									○	○						
					K	4810006452																○
							+F	+F	+F	+F	+F	+F	+F	+F				+F				
14.1	1	Valvola completa	Check valve ass.		NG	4810009026	○	○	○					○	○			○				
					VK	4810009036																○
16	1	Portina	Cover		G	4810006474	○	○	○	○	○	○							○			
					GZ	4810008503	+Z	+Z	+Z					○								
					OTS	4810003749											○					
					KL	4810006503																○
17 (**)	1	Guarnizione	Gasket	72 x 95 x 3																		
19	1	Portamotore	Head		G	4810021216	○	○	○	○	○	○							○			
					G	4810030451																
					B	4810021276												○				
					KL	4810021332																○
21	1	Flangia mandata	Discharge flange	DN 150 D.I. 1882	S	4810001481	○	○	○	○	○	○	○	○	○	○	○	○				
					K	4810001545																○
							+F	+F	+F	+F	+F	+F	+F	+F				+F				
22 (**)	2	Guarnizione	Gasket	150 x 285 x 3																		
23	1	Portina	Cover		G	4810006474	○	○	○	○	○	○							○			
					GZ	4810008503	+Z	+Z	+Z						○							
					OTS	4810003749																○
					KL	4810006503																○
24 (**)	1	Guarnizione	Gasket	72 x 95 x 3																		
25	1	Anello di tenuta compl.	Mechanical seal ass.	T45 YYN ND		4810021228	○	○	○										○			
						4810023971																
						4810023973										○						○
						4810021309										○	○					○
26	1	Portina	Cover		G	4810006477	○	○	○	○	○	○							○			
					GZ	4810008505	+Z	+Z	+Z						○							
					OTS	4810003751																○
					KL	4810006505																○

VARISCO S.r.l.

Prima Strada, 37 - Z.I. Nord - 35129 Padova - Italy

Tel. 049 82 94 111

+39 049 82 94 111

Fax 049 82 94 373

International +39 049 80 76 762



HEMPEL
AntriebsTechnik

+49 (2154) 4989-37 - pumpe@hem-net.de

varisco

Rif. N°. Pos. Nr.	Quant.	Denominazione	Part name	Den. Comm. Type	Mat. *	Codice Nuovo New Part. No.	JS 6-250 G10	JS 6-250 G20	JS 6-250 G11	JS 6-250 P10	JS 6-250 P30	JS 6-250 F10	JS 6-250 Q10	JS 6-250 B10	JS 6-250 K10	JS 6-250 K20	JS 6-250 D11
27 (**)	1	Guarnizione	Gasket														
33	1	Dado blocca girante	Impeller nut	M 30 x 2 UNI 7474 M 30 x 2 UNI 7474	H K	4810001466 4810001473	○	○	○	○	○	○	○	○	○	○	○
42 (**)	1	Guarnizione piatto	Wear plate gasket														
43 (**)	1	Guarnizione corpo	Casing gasket														
45	4	Vite	Screw	M 12 x 45 DIN 931 M 12 x 45 DIN 933	S K	4810001963 4810002056	○	○	○	○	○	○	○	○	○	○	○
45.1	4	Dado	Nut	M 12 DIN 934	S K	4810001422 4810001439	○	○	○	○	○	○	○	○	○	○	○
45.2	4	Rondella	Washer	M 12 UNI 1751/52 A	S K	4810001681 4810001685	○	○	○	○	○	○	○	○	○	○	○
47 (*)	8	Prigioniero	Stud	M 12 x 25 DIN 938 M 12 x 25 DIN 938	S K		○	○	○	○	○	○	○	○	○	○	○
48 (*)	6	Prigioniero	Stud	M 16 x 55 DIN 938 M 16 x 60 DIN 938	S K	4810001832 4810001851	○	○	○	○	○	○	○	○	○	○	○
48.1 (*)	6	Prigioniero	Stud	M 16 x 35 DIN 938	S K		○	○	○	○	○	○	○	○	○	○	○
49 (*)	2	Prigioniero	Stud	M 10 x 35 DIN 938	S K		○	○	○	○	○	○	○	○	○	○	○
50 (*)	2	Prigioniero	Stud	M 10 x 35 DIN 938	S K		○	○	○	○	○	○	○	○	○	○	○
52 (*)	8	Dado	Nut	M 12 DIN 934	S K		○	○	○	○	○	○	○	○	○	○	○
52.1 (*)	12	Dado	Nut	M 16 DIN 934	S K		○	○	○	○	○	○	○	○	○	○	○
53 (*)	4	Maniglietta Dado	Wrench Nut	M 10 M 10 DIN 934	OTS K		○	○	○	○	○	○	○	○	○	○	○
53.1 (*)	3	Maniglietta Dado	Wrench Nut	M 12 M 12 DIN 934	OTS K		○	○	○	○	○	○	○	○	○	○	○
53.4 (*)	2	Rondella	Washer	M 10 DIN 125 A	K							○			○	○	
53.5 (*)	2	Rondella	Washer	M 10 DIN 125 A	K							○			○	○	
53.6 (*)	3	Rondella	Washer	M 12 DIN 125 A	K							○			○	○	
54 (*)	3	Prigioniero	Stud	M 12 x 30 DIN 938	S K		○	○	○	○	○	○	○	○	○	○	○
55	4	Vite	Screw	M 6 x 20 DIN 933	S	4810001933	○	○	○	○	○	○	○	○	○	○	○
57 (*)	4	Vite	Screw	M 10 x 20 DIN 912	H G321 K		○	○	○	○	○						○
57.1 (*)	4	Vite	Screw	M 12 x 25 DIN 933	S K H		○	○	○	○	○						○
57.3 (*)	4	Rondella	Washer	M 12 DIN 125A	S K		○	○	○	○	○						○
58	1	Cuscinetto	Ball bearing	3308-2RS		4810054292	○	○	○	○	○	○	○	○	○	○	○
59	1	Cuscinetto	Ball bearing	62208-2RS		4810052878	○	○	○	○	○	○	○	○	○	○	○
60	1	Linguetta	Key	10 x 8 x 40 DIN6885A	K	4810001626	○	○	○	○	○	○	○	○	○	○	○
61	1	Linguetta	Key	10 x 8 x 70 DIN6885A	S	4810001598	○	○	○	○	○	○	○	○	○	○	○
62	1	Ghiera	Lock ring	M 40	S	4810001573	○	○	○	○	○	○	○	○	○	○	○
63	1	Ghiera		35 x 50 x 10	S	4810021222	○	○	○	○	○	○	○	○	○	○	○
66	1	Rondella	Washer	M 30 DIN 125A	H K	4810001716 4810001715	○	○	○	○	○						○
67	1	Ingrassatore	Grease nipple	M 6 M 6 x 30		4810001664 4810001665	○	○	○	○	○	○	○	○	○	○	○
68.5 (*)	1	Tappo	Plug	1/4"	G K	481000 2379 4810002414	○	○	○	○	○						○
70 (*)	1	Ingrassatore Cartuccia Perma	Grease nipple Perma cartridge	1/4"		4810001662 4810008316	○	○	○	○	○	○	○	○	○	○	○
70.1 (*)	1	Curva	Elbow	1/4"	G	4810002352	+P	+P	+P	+P	+P	+P	+P	+P	+P	+P	+P
70.2 (*)	1	Manicotto	Union	1/4"	S S		+P	+P	+P	+P	+P	+P	+P	+P	+P	+P	+P
70.3 (*)	1	Prolunga	Grease tube	1/4"			+P	+P	+P	+P	+P	+P	+P	+P	+P	+P	+P
70.8 (*)	1	Rubinetto Lava Tenuta	Seal flush cock	1/4"	S												○
	1	Tappo	Plug	1/4"	S				○								

VARISCO S.r.l.

Prima Strada, 37 - Z.I. Nord - 35129 Padova - Italy

Tel. 049 82 94 111

+39 049 82 94 111

Fax 049 82 94 373

International +39 049 80 76 762



HEMPEL
AntriebsTechnik

+49 (2154) 4989-37 - pumpe@hem-net.de

varisco

Rif. N°. Pos. Nr.	Quant.	Denominazione	Part name	Den. Comm. Type	Mat. *	Codice Nuovo New Part. No.	JS 6-250 G10	JS 6-250 G20	JS 6-250 G11	JS 6-250 P10	JS 6-250 P30	JS 6-250 F10	JS 6-250 Q10	JS 6-250 B10	JS 6-250 K10	JS 6-250 K20	JS 6-250 D11	
71	1	V-ring	V-ring	V 35	N	4810001294	○	○	○	○	○	○	○	○	○	○	○	○
(*)		Serie viterie	Set of screws			4810014213	○	○	○	○	○							○
						4810051574												○
						4810014221						○	○					○
						4810021291												○
(**)		Serie guarnizioni	Set of gaskets		N	4810014214	○	○	○				○	○				○
					V	4810024037									○	○		○
					V	4810024038				○	○	○						○
+F***		Kit flange	Kit flange	DN 150 PN16	G	4810044977	○	○	○	○	○	○						○
				DN 150 PN16	B	4810045099							○	○				○
				DN 150 PN16	KL	1805120092												○
				6" ASA150	G	4810045100	○	○	○	○	○	○						○
+P***		Kit ingrassatore	Compl. Grease kit			4810008316	○	○	○	○	○	○	○	○	○	○	○	○
+Z***		Kit portine	Set of couver		GZ	4810014235	○	○	○									○
***		Optional																

Note:	Notes:
1) Completo di prigionieri (47, 48, 49, 50, 54) e tappo (68.5).	1) Complete with studs (47, 48, 49, 50, 54) and plug (68.5).
2) Completo di viti (57).	2) Complete with screws (57).
3) Completo di guarnizione (42).	3) Complete with gasket (42).
4) Completo di supporto (06), piede (06.1), vite (06.2) e rondella (06.3)	4) Complete with bearing housing (06), foot (06.1), screw (06.2) and washer (06.3).
5) Completo di dado (33), rondella (66), linguette (60,61) e ghiera (62).	5) Complete with nut (33), washer (66), keys (60,61) and lock ring (62).
* Materiali di costruzione	* Construction material
B = Bronzo	B = Bronze
G = Ghisa	G = Cast iron
G+N1 = Ghisa+Trattamento	G+N1 = Treated Cast iron
G+N2 = Ghisa+Trattamento	G+N2 = Treated Cast iron
G+N4 = Ghisa+Trattamento	G+N4 = Treated Cast iron
GS = Ghisa sferoidale	GS = Ductile cast iron
H = Acciaio INOX AISI 304	H = AISI 304 Stainless steel
K = Acciaio INOX AISI 316	K = AISI 316 Stainless steel
KL = Acciaio INOX AISI 316L	KL = AISI 316L Stainless steel
K5 = Acciaio INOX SAF 2205	K5 = SAF2205 Stainless steel
N = Gomma nitrile	N = Nitrile rubber
OTS = Ottone	OTS = Brass
S = Acciaio	S = Steel
S3 = Acciaio 38NiCrMo4	S3 = Steel 38 NiCrMo4
V = Viton	V = Viton
Z = Zinco	Z = Zinc
Ordinare il materiale indicando sempre la quantità, la denominazione, il codice del pezzo, il tipo ed il numero della pompa.	When ordering spares always indicate type and serial number of pump, quantity, part name, and number.

