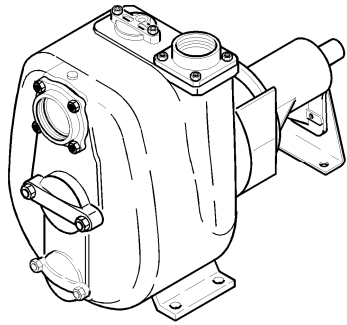
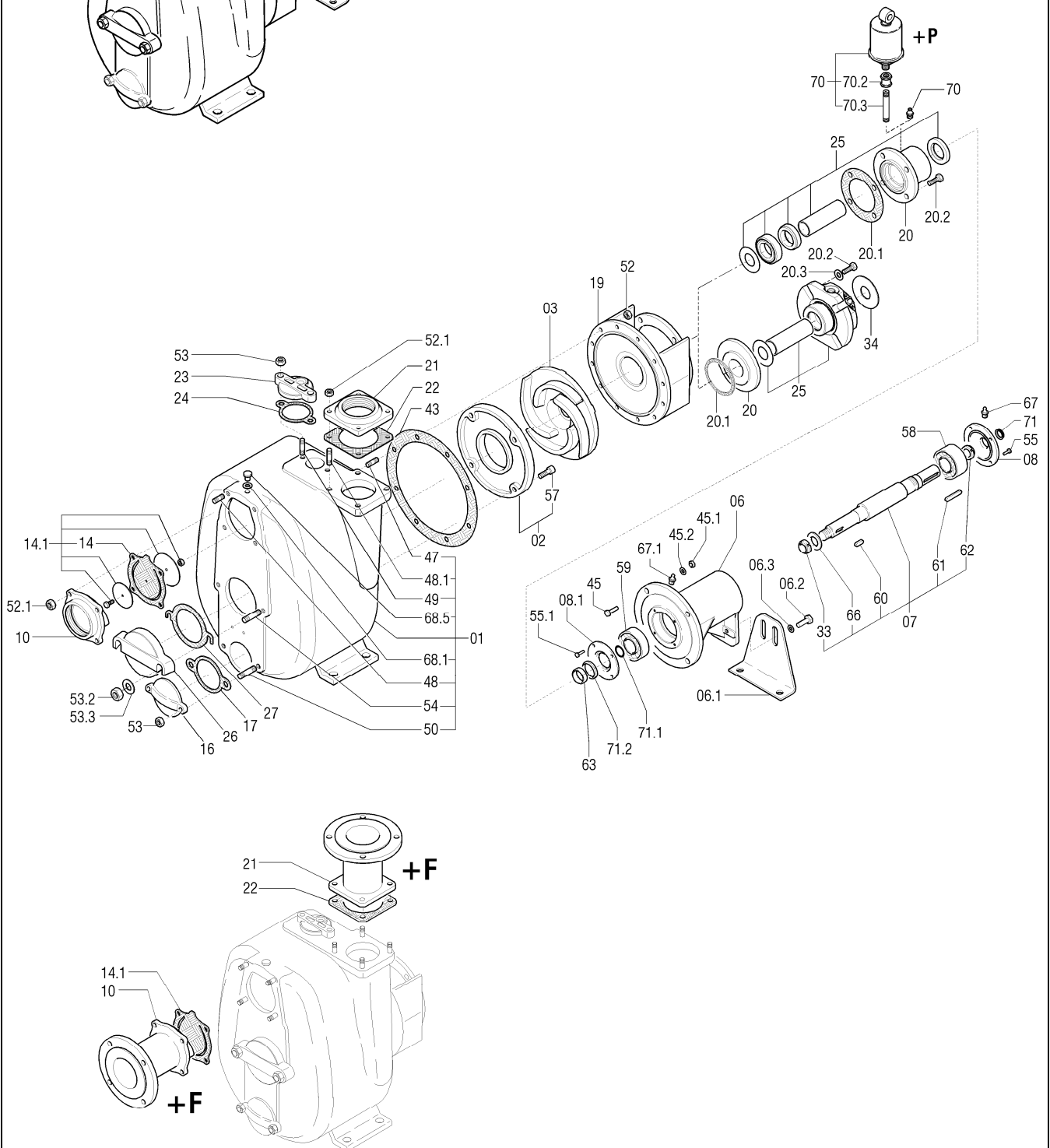


DISTINTA DELLE PARTI COSTITUENTI LE POMPE CENTRIFUGHE AUTODESCANTI SERIE "J" SPARE PARTS LIST FOR "J" SERIES SELF-PRIMING CENTRIFUGAL PUMPS



JS 4-316 K10	Code 1000 9775
JS 4-316 K20	Code 1000 9776
JS 4-316 K50	Code 1000 9779
JS 4-316 K60	Code 1004 5366



VARISCO S.p.A.

Terza Strada, 9 - Z.I. Nord - 35129 Padova - Italy

Tel. 049 82 94 111

Fax 049 82 94 373

+39 049 82 94 111

International +39 049 80 76 762



HEMPEL
AntriebsTechnik

+49 (2154) 4989-37 - pumpen@hem-net.de



varisco
solid pumping solutions

Rif. N°. Pos. Nr. Ref. no. Réf. N°.	Quant.	Denominazione	Part name	Den. Comm. Type	Mat.*	Codice Vecchio Old Part No.	JS 4-316 K10	JS 4-316 K20	JS 4-316 K50	JS 4-316 K60
01	1	Corpo (1)	Casing (1)		K	1003 6457	○	○	○	○
02	1	Piatto d'usura (2)	Wear plate (2)		K	1003 6540	○	○	○	○
03	1	Girante	Impeller		K	1000 5421	○	○	○	○
06	1	Supporto	Bearing housing		G	1000 6881	○	○	○	○
06.1	1	Piede	Base		S	1000 6145	○	○	○	○
06.2	2	Vite	Screw	M16 x 35 DIN 933	S	1000 1972	○	○	○	○
06.3	2	Rondella	Washer	M 16 DIN 125 A	S	1000 1693	○	○	○	○
07	1	Albero (3)	Shaft (3)		K9	1000 7609	○	○	○	○
08	1	Copricuscinetto	Bearing cover		G	1000 4780	○	○	○	○
08.1	1	Copricuscinetto	Bearing cover		G	1000 4781	○	○	○	○
10	1	Portavalvola	Suction flange	R4"	K	1000 6450	○	○	○	○
							+F	+F	+F	+F
14.1	1	Valvola completa	Check valve ass.		VK	1000 9024	○		○	○
					TK	1000 9033		○		
16	1	Portina	Cover		K	1000 6503	○	○	○	○
17(**)	1	Guarnizione	Gasket	72 x 95 x 2						
19	1	Portamotore	Head		K	1000 6372	○	○	○	○
20	1	Portatenuta	Seal box		K	1000 6256	○			
					K	1000 6257		○		○
					K	1000 6258			○	
20.1	1	Guarnizione	Gasket	106 x 154 x 0,5 106 x 115 x 0,5	E3	1000 5639	○	○		○
					E3	1000 5640			○	
20.2	4	Vite	Screw	M10 x 35 DIN 933 M10 x 45 DIN 933	K	1000 2045				
					K	1000 2047	○	○		○
20.3	4	Rondella	Washer	M 10 DIN 125 A	K	1000 4256			○	
21	1	Flangia mandata	Discharge flange	R4"	K	1000 5115	○	○	○	○
							+F	+F	+F	+F
22(**)	1	Guarnizione	Gasket							
23	1	Portina	Cover		KL	1000 6502	○	○	○	○
24(**)	1	Guarnizione	Gasket							
25	1	Tenuta completa	Mechanical seal ass.	T50 WWV N50 YYT FL-SA N50 YVY/GYV TCD-FL N50 YVY FL-SA		1000 8897 1000 8998 1001 4445 1001 9325	○			
								○		
									○	
										○
26	1	Portina	Cover		K	1000 6504	○	○	○	○
27(**)	1	Guarnizione	Gasket							
33	1	Dado blocca girante	Impeller nut	M30 x 2 UNI 7474	K	1000 1473	○	○	○	○
43(**)	1	Guarnizione corpo	Casing gasket	316 x 384 x 0,5	E3	1000 5583	○	○	○	○
45	4	Vite	Screw	M16 x 55 DIN 933	K	1000 2071	○	○	○	○
45.1	4	Dado	Nut	M16 DIN 934	K	1000 1442	○	○	○	○
45.2	4	Rondella	Washer	M16 DIN 127	K	1000 1686	○	○	○	○
47(*)	12	Prigioniero	Stud	M12 x 30 DIN 938	K	1000 1848	○	○	○	○
48(*)	4	Prigioniero	Stud	M12 x 30 DIN 938	K	1000 1848	○	○	○	○
48.1(*)	4	Prigioniero	Stud	M12 x 30 DIN 938	K	1000 1848	○	○	○	○
49(*)	2	Prigioniero	Stud	M10 x 30 DIN 938	K	1000 1846	○	○	○	○
50(*)	2	Prigioniero	Stud	M10 x 30 DIN 938	K	1000 1846	○	○	○	○
52(*)	12	Dado	Nut	M12 DIN 934	K	1000 1439	○	○	○	○
52.1(*)	8	Dado	Nut	M12 DIN 934	K	1000 1439	○	○	○	○
53(*)	4	Dado	Nut	M10 DIN 934	K	1000 1437	○	○	○	○
53.2(*)	2	Dado	Nut	M12 DIN 934	K	1000 1439	○	○	○	○
53.3(*)	2	Rondella	Washer	M12 DIN 125 A	K	1000 1706	○	○	○	○
54(*)	2	Prigioniero	Stud	M12 x 30 DIN 938	K	1000 1848	○	○	○	○
55	4	Vite	Screw	M8 x 20 DIN 933	S	1000 1937	○	○	○	○
55.1	4	Vite	Screw	M8 x 20 DIN 933	S	1000 1937	○	○	○	○
57(*)	4	Vite	Screw	M10 x 20 DIN 912	K	1000 1908	○	○	○	○
58	1	Cuscinetto	Ball bearing	3310 HT		1000 1388	○	○	○	○
59	1	Cuscinetto	Ball bearing	NU 310 E		1000 1339	○	○	○	○
60	1	Linguetta	Key	12x8x45 DIN6885A	K	1000 1637	○	○	○	○
61	1	Linguetta	Key	12x8x90 DIN6885A	S	1000 1600	○	○	○	○
62	1	Ghiera	Lock ring	M 50	S	1000 1575	○	○	○	○
63	1	Ghiera	Sleeve	42 X 60 X 19	S	1000 4184	○	○	○	○
66	1	Rondella	Washer	M30 DIN 125A	K	1000 1715	○	○	○	○
67	1	Ingrassatore	Grease nipple	M6		1000 1664	○	○	○	○
67.1	1	Ingrassatore	Grease nipple	1/4"		1000 1662	○	○	○	○

VARISCO S.p.A.

Terza Strada, 9 - Z.I. Nord - 35129 Padova - Italy

Tel. 049 82 94 111

Fax 049 82 94 373

+39 049 82 94 111

International +39 049 80 76 762



HEMPEL
AntriebsTechnik

+49 (2154) 4989-37 - pumpen@hem-net.de



varisco
solid pumping solutions

Rif. N°. Pos. Nr. Ref. no. Réf. N°.	Quant.	Denominazione	Part name	Den. Comm. Type	Mat.*	Codice Vecchio Old Part No.	JS 4-316 K10	JS 4-316 K20	JS 4-316 K50	JS 4-316 K60
68.1(**)	1	Guarnizione	Gasket	1/4" DIN 908						
68.5(*)	1	Tappo	Plug	1/4"	K	1000 2414	○	○	○	○
70(*)	1	Ingrassatore	Grease nipple	1/4"		1000 1662	○	○	○	○
		Cartuccia Perma	Perma cartridge			1000 8316	+P	+P	+P	+P
70.2	1	Manicotto	Union	1/4"	G	1000 2352	+P	+P	+P	+P
70.3	1	Prolunga	Grease tube	1/4" x 75	S	10006955	+P	+P	+P	+P
71	1	V-ring	V-ring	V 45 S	N	1000 1296	○	○	○	○
71.1	1	O-Ring	O-Ring	OR 147	N	1000 1207	○	○	○	○
71.2	1	V-ring	V-ring	V 60 S	N	1000 1297	○	○	○	○
(*)		Serie viterie	Set of screws			1001 4428	○			
						1001 4439		○		○
						1001 4441			○	
(**)		Serie guarnizioni	Set of gaskets		V	1001 4429	○	○	○	○
+F***		Kit flange	Kit flange	DN 100 PN16	K	1004 2792	○	○	○	○
				4" ASA150	K	1004 2828				
+P***		Kit ingrassatore	Compl. Grease kit			1000 8316	○	○		○
***		Optional								

Note:	Notes:
1) Completo di prigionieri (47, 48, 48.1, 49, 50, 54), tappo (68.5) e guarnizione (68.1).	1) Complete with studs (47, 48, 48.1, 49, 50, 54), plug (68.5) and gasket (68.1).
2) Completo di viti (57).	2) Complete with screws (57).
3) Completo di linguette (60, 61), dado (33) e rondella (66).	3) Complete with keys (60, 61), nut (33), and washer (66).
E3 = Centellen VS 3820	E3 = Centellen VS 3820
G = Ghisa	G = Cast iron
H = Acciaio inox AISI 304	H = AISI 304 stainless steel
K = Acciaio inox AISI 316	K = AISI 316 stainless steel
KL = Acciaio inox AISI 316L	KL = AISI 316L stainless steel
K9 = Acciaio inox AISI 329	K9 = AISI 329 stainless steel
S = Acciaio	S = Steel
TE = Teflon	TE = Teflon
V = Viton	V = Viton
Ordinare il materiale indicando sempre la quantità, la denominazione, il codice del pezzo, il tipo ed il numero della pompa.	When ordering spares always indicate type and serial number of pump, quantity, part name, and number.

VARISCO S.p.A.

Terza Strada, 9 - Z.I. Nord - 35129 Padova - Italy

Tel. 049 82 94 111

Fax 049 82 94 373

International +39 049 80 76 762



HEMPEL
AntriebsTechnik

+49 (2154) 4989-37 . pumpen@hem-net.de



varisco
solid pumping solutions

VARISCO S.p.A.

Terza Strada, 9 - Z.I. Nord - 35129 Padova - Italy

Tel. 049 82 94 111

Fax 049 82 94 373

International +39 049 80 76 762



HEMPEL
Antriebs Technik

+49 (2154) 4989-37 . pumpen@hem-net.de



varisco
solid pumping solutions