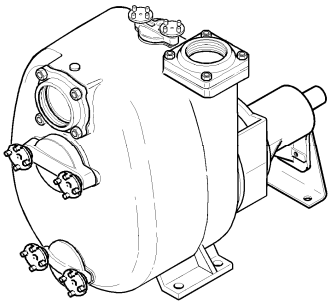
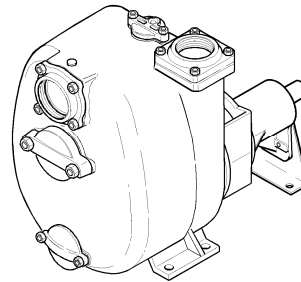


DISTINTA DELLE PARTI COSTITUENTI LE POMPE CENTRIFUGHE AUTOADESCANTI SERIE " J "

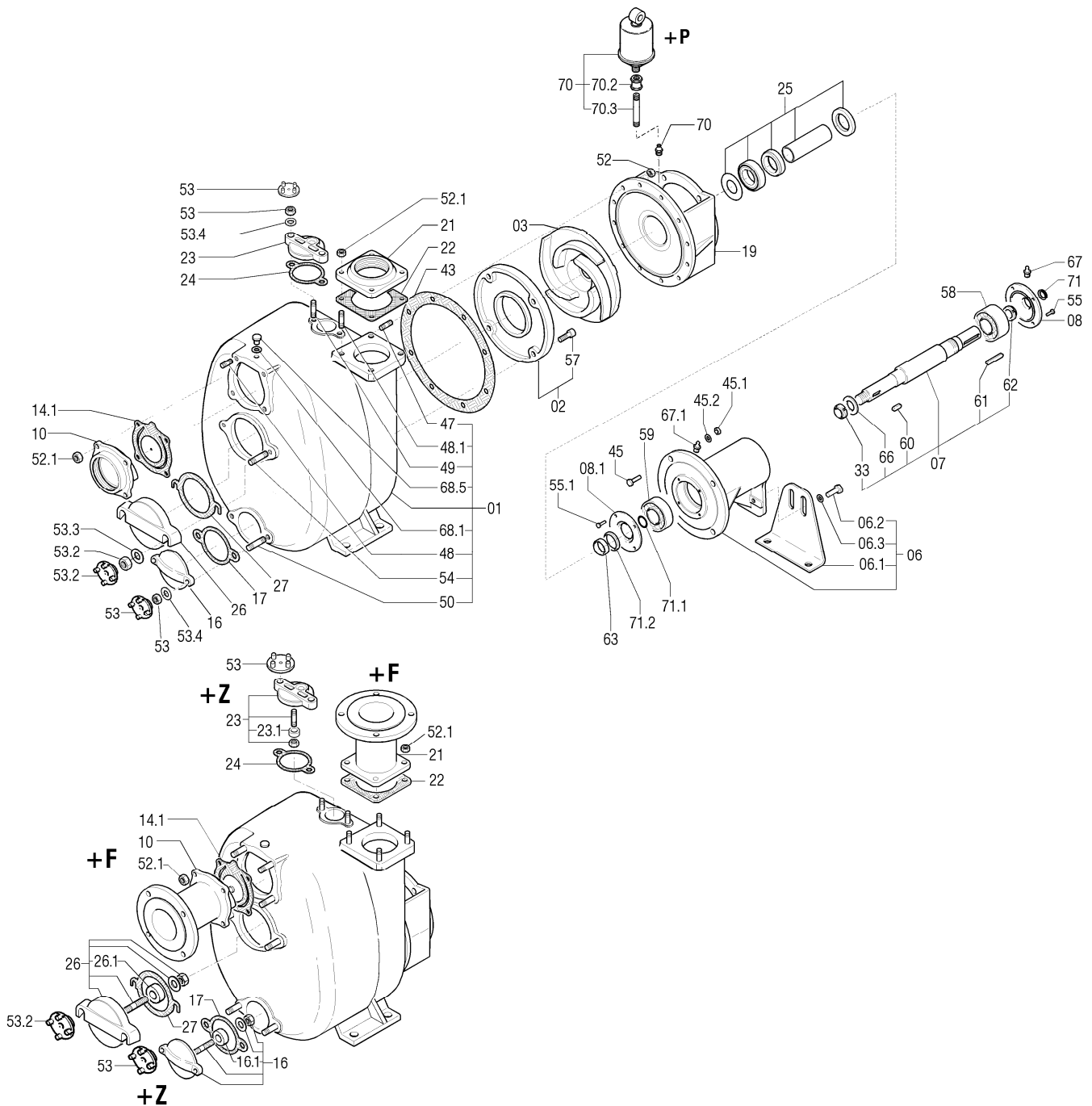
SPARE PARTS LIST FOR "J" SERIES SELF-PRIMING PUMPS



JS 4-316 G10 Code 1000 9757
 JS 4-316 G20 Code 1000 9760
 JS 4-316 Q10 Code 1000 9759
 JS 4-316 B10 Code 1000 9773
 JS 4-316 P10 Code 10014943
 JS 4-316 T10 Code 10043494



JS 4-316 F10 Code 1000 9761



VARISCO S.p.A.

35129 Padova – Z.I. Nord Terza Strada, 9

Tel. 049 82 94 111

Fax 049 82 94 373

+39 049 82 94 111

International +39 049 80 76 762



HEMPEL
AntriebsTechnik

+49 (2154) 4989-37 - pumpen@hem-net.de



varisco
solid pumping solutions

| Rif. N°. Pos. Nr. Ref. no. Réf. N°. | Quant. | Denominazione | Part name | Den. Comm. Type | Mat.* | Codice Nuovo New Part No. | JS 4-316 G10 | JS 4-316 G20 | JS 4-316 F10 | JS 4-316 Q10 | JS 4-316 B10 | JS 4-316 P10 | JS 4-316 T10 | |
|--|-----------|--------------------|----------------------|-------------------------------|-------|---------------------------------|--------------|--------------|--------------|--------------|--------------|--------------|--------------|----|
| 01 | 1 | Corpo (1) | Casing (1) | | GS | 1002 0713 | ○ | ○ | | | | | | |
| | | | | | B | 1002 0714 | | | | | ○ | | | |
| | | | | | G | 1005 4294 | | | ○ | ○ | | | | |
| | | | | | G+QPQ | 1005 4295 | | | | | | | | ○ |
| 02 | 1 | Piatto d'usura (2) | Wear plate (2) | | G | 1000 8435 | | ○ | | | | | ○ | |
| | | | | | GN | 1000 8459 | ○ | | | | | | | |
| | | | | | B | 1000 8407 | | | | ○ | ○ | | | |
| | | | | | K | 1003 6540 | | | ○ | | | | | |
| G+QPQ | 1005 4296 | | | | | | | | | ○ | | | | |
| 03 | 1 | Girante | Impeller | | GS | 1000 5373 | ○ | ○ | | | | | | |
| | | | | | B | 1000 5249 | | | | ○ | ○ | | | |
| | | | | | G+QPQ | 1003 1864 | | | | | | | | ○ |
| | | | | | K | 1000 5421 | | | ○ | | | | | |
| 06 | 1 | Supporto (3) | Bearing housing (3) | | G | 1000 9078 | ○ | ○ | ○ | ○ | ○ | ○ | ○ | |
| 06.1 | 1 | Piede | Base | | S | 1000 6145 | ○ | ○ | ○ | ○ | ○ | ○ | ○ | |
| 06.2 | 2 | Vite | Screw | M 16 x 35 DIN 933 | S | 1000 1972 | ○ | ○ | ○ | ○ | ○ | ○ | ○ | |
| 06.3 | 2 | Rondella | Washer | M 16 DIN 125 A | S | 1000 1693 | ○ | ○ | ○ | ○ | ○ | ○ | ○ | |
| 07 | 1 | Albero (4) | Shaft (4) | | S3 | 1000 7569 | ○ | ○ | | | | | ○ | |
| | | | | | K9 | 1000 7609 | | | ○ | ○ | | | | ○ |
| 08 | 1 | Copricuscinetto | Bearing cover | | G | 1000 4780 | ○ | ○ | ○ | ○ | ○ | ○ | ○ | |
| 08.1 | 1 | Copricuscinetto | Bearing cover | | G | 1000 4781 | ○ | ○ | ○ | ○ | ○ | ○ | ○ | |
| 10 | 1 | Portavalvola | Suction flange | R4" | G | 1000 6426 | ○ | ○ | | | | | ○ | |
| | | | | | B | 1000 6401 | | | | ○ | ○ | | | |
| | | | | | | | +F | +F | +F | +F | +F | +F | +F | |
| 14.1 | 1 | Valvola completa | Check valve ass. | | NH | 1000 9032 | ○ | | | | | | ○ | |
| | | | | | VK | 1000 9024 | | | ○ | ○ | | | | ○ |
| | | | | | TK | 1000 9033 | | | ○ | | | | | |
| 16 | 1 | Portina | Cover | | G | 1000 6474 | ○ | ○ | ○ | | | | ○ | |
| | | | | | GZ | 1000 8503 | +Z | +Z | | ○ | | | | +Z |
| | | | | | OTS | 1000 3749 | | | | | ○ | | | |
| 16.1 | 1 | Placca zinco | Zinc anode | | Z | | +Z | +Z | | ○ | | | +Z | |
| 17 (**) | 1 | Guarnizione | Gasket | 72 x 95 x 3 | | | | | | | | | | |
| 19 | 1 | Portamotore | Head | | G | 1000 6345 | ○ | | ○ | ○ | | | ○ | |
| | | | | | G | 1000 6349 | | ○ | | | | | | |
| | | | | | B | 1000 6288 | | | | | ○ | | | |
| | | | | | G+QPQ | 1003 1866 | | | | | | | | ○ |
| 21 | 1 | Flangia mandata | Discharge flange | R4" | G | 1000 5094 | ○ | ○ | ○ | | | | ○ | |
| | | | | | OTS | 1000 5072 | | | | ○ | ○ | | | ○ |
| | | | | | | | +F | +F | +F | +F | +F | +F | +F | +F |
| 22 (**) | 1 | Guarnizione | Gasket | | | | | | | | | | | |
| 23 | 1 | Portina | Cover | | S | 1000 6473 | ○ | ○ | ○ | | | | ○ | |
| | | | | | SZ | 1000 8502 | +Z | +Z | | ○ | | | | +Z |
| | | | | | B | 1000 3748 | | | | | ○ | | | |
| 23.1 | 1 | Placca zinco | Zinc anode | | Z | | +Z | +Z | | ○ | | | +Z | |
| 24 (**) | 1 | Guarnizione | Gasket | | | | | | | | | | | |
| 25 | 1 | Tenuta completa | Mechanical seal ass. | T50 YYV T50 WWV N50 YYT | | 1002 6486 | ○ | | | | | ○ | | |
| | | | | | | 1000 8897 | | | ○ | ○ | | | ○ | |
| | | | | | | 1000 9003 | | | ○ | | | | | |
| 26 | 1 | Portina | Cover | | G | 1000 6475 | ○ | ○ | ○ | | | | ○ | |
| | | | | | GZ | 1000 8504 | +Z | +Z | | ○ | | | | +Z |
| | | | | | B | 1000 6468 | | | | | ○ | | | |
| 26.1 | 1 | Placca zinco | Zinc anode | | Z | 1000 3810 | +Z | +Z | | ○ | | | +Z | |
| 27 (**) | 1 | Guarnizione | Gasket | | | | | | | | | | | |
| 33 | 1 | Dado blocca girant | Impeller nut | M 30 x 2 UNI 7474 | H | 1000 1466 | ○ | ○ | | | | | ○ | |
| | | | | | K | 1000 1473 | | | ○ | ○ | | | ○ | |
| 43 (**) | 2 | Guarnizione corpo | Casing gasket | 316 x 384 x 0,5 | | | | | | | | | | |
| 45 | 4 | Vite | Screw | M 16 x 55 DIN 933 | S | 1000 1992 | ○ | ○ | | | | | ○ | |
| | | | | | K | 1000 2071 | | | ○ | ○ | | | ○ | |
| 45.1 | 4 | Dado | Nut | M 16 DIN 934 | S | 1000 1425 | ○ | ○ | | | | | ○ | |
| | | | | | K | 1000 1442 | | | ○ | ○ | | | ○ | |
| 45.2 | 4 | Rondella | Washer | M 16 UNI 1751/52 A | S | 1000 1683 | ○ | ○ | | | | | ○ | |
| | | | | | K | 1000 1686 | | | ○ | ○ | | | ○ | |
| 47 (*) | 12 | Prigioniero | Stud | M 12 x 30 DIN 938 | S | | ○ | ○ | | | | | ○ | |
| | | | | | K | | | | ○ | ○ | | | ○ | |

VARISCO S.p.A.

35129 Padova – Z.I. Nord Terza Strada, 9

Tel. 049 82 94 111

Fax 049 82 94 373

+39 049 82 94 111
International +39 049 80 76 762



HEMPEL
Antriebs-Technik

+49 (2154) 4989-37 - pumpe@hem-net.de



varisco
solid pumping solutions

| Rif. N°. Pos. Nr. Ref. no. Réf. N°. | Quant. | Denominazione | Part name | Den. Comm. Type | Mat.* | Codice Nuovo New Part No. | JS 4-316 G10 | JS 4-316 G20 | JS 4-316 F10 | JS 4-316 Q10 | JS 4-316 B10 | JS 4-316 P10 | JS 4-316 T10 |
|-------------------------------------|--------|---------------------------------|----------------------------------|--|------------------|--|--------------|--------------|--------------|--------------|--------------|--------------|--------------|
| | | | | | | | | | | | | | |
| 48 (*) | 4 | Prigioniero | Stud | M 12 x 30 DIN 938 | S K | | ○ | ○ | ○ | ○ | ○ | ○ | ○ |
| 48.1 (*) | 4 | Prigioniero | Stud | M 12 x 30 DIN 938 | S K | | ○ | ○ | ○ | ○ | ○ | ○ | ○ |
| 49 (*) | 2 | Prigioniero | Stud | M 10 x 35 DIN 938 | S K | | ○ | ○ | ○ | ○ | ○ | ○ | ○ |
| 50 (*) | 2 | Prigioniero | Stud | M 10 x 35 DIN 938 | S K | | ○ | ○ | ○ | ○ | ○ | ○ | ○ |
| 52 (*) | 12 | Dado | Nut | M 12 DIN 934 | S H K | | ○ | ○ | ○ | ○ | ○ | ○ | ○ |
| 52.1 (*) | 8 | Dado | Nut | M 12 DIN 934 | S H K | | ○ | ○ | ○ | ○ | ○ | ○ | ○ |
| 53 (*) | 4 | Maniglietta Dado | Wrench Nut | M 10 M 10 DIN 934 | OTS K | | ○ | ○ | ○ | ○ | ○ | ○ | ○ |
| 53.2 (*) | 2 | Maniglietta Dado | Wrench Nut | M 12 M 12 DIN 934 | OTS K | | ○ | ○ | ○ | ○ | ○ | ○ | ○ |
| 53.3 (*) | 2 | Rondella | Washer | M 12 DIN 125 A | K | | | | ○ | | | | |
| 53.4 (*) | 4 | Rondella | Washer | M 10 DIN 125 A | K | | | | ○ | | | | |
| 54 (*) | 2 | Prigioniero | Stud | M 12 x 35 DIN 938 | S K | | ○ | ○ | ○ | ○ | ○ | ○ | ○ |
| 55 | 4 | Vite | Screw | M 8 x 20 DIN 933 | S | 1000 1937 | ○ | ○ | ○ | ○ | ○ | ○ | ○ |
| 55.1 | 4 | Vite | Screw | M 8 x 20 DIN 933 | S | 1000 1937 | ○ | ○ | ○ | ○ | ○ | ○ | ○ |
| 57 (*) | 4 | Vite | Screw | M 10 x 20 DIN 912 | H K | | ○ | ○ | ○ | ○ | ○ | ○ | ○ |
| 58 | 1 | Cuscinetto | Ball bearing | 3310 HT | | 1000 1388 | ○ | ○ | ○ | ○ | ○ | ○ | ○ |
| 59 | 1 | Cuscinetto | Ball bearing | NU 310 E | | 1000 1339 | ○ | ○ | ○ | ○ | ○ | ○ | ○ |
| 60 | 1 | Linguetta | Key | 12 x 8 x 45 DIN 6884 | K | 1000 1637 | ○ | ○ | ○ | ○ | ○ | ○ | ○ |
| 61 | 1 | Linguetta | Key | 12 x 8 x 90 DIN 6884 | S | 1000 1600 | ○ | ○ | ○ | ○ | ○ | ○ | ○ |
| 62 | 1 | Ghiera | Lock ring | M 50 | S | 1000 1575 | ○ | ○ | ○ | ○ | ○ | ○ | ○ |
| 63 | 1 | Ghiera | Sleeve | 42 X 60 X 19 | S | 1000 4184 | ○ | ○ | ○ | ○ | ○ | ○ | ○ |
| 66 | 1 | Rondella | Washer | M 30 DIN 125A | H K | 1000 1716 1000 1715 | ○ | ○ | ○ | ○ | ○ | ○ | ○ |
| 67 | 1 | Ingrassatore | Grease nipple | M 6 | | 1000 1664 | ○ | ○ | ○ | ○ | ○ | ○ | ○ |
| 67.1 | 1 | Ingrassatore | Grease nipple | 1/4" | | 1000 1662 | ○ | ○ | ○ | ○ | ○ | ○ | ○ |
| 68.1 (**) | 1 | Guarnizione | Gasket | 1/4" DIN 908 | | | | | | | | | |
| 68.5 (*) | 1 | Tappo | Plug | 1/4" | S K | | ○ | ○ | ○ | ○ | ○ | ○ | ○ |
| 70 (*) | 1 | Ingrassatore Cartuccia Perma | Grease nipple Perma cartridge | 1/4" | | 1000 8316 | + | + | + | + | + | + | + |
| 70.2 | 1 | Manicotto | Union | 1/4" | G | 1000 2352 | + | + | + | + | + | + | + |
| 70.3 | 1 | Prolunga | Grease tube | 1/4" x 75 | S | 1000 6955 | + | + | + | + | + | + | + |
| 71 | 1 | V-ring | V-ring | V 45 S | N | 1000 1296 | ○ | ○ | ○ | ○ | ○ | ○ | ○ |
| 71.1 | 1 | O-Ring | O-Ring | OR 147 | N | 1000 1207 | ○ | ○ | ○ | ○ | ○ | ○ | ○ |
| 71.2 | 1 | V-ring | V-ring | V 60 S | N | 1000 1297 | ○ | ○ | ○ | ○ | ○ | ○ | ○ |
| (*) | | Serie viterie | Set of screws | | | 1001 4422 1001 4426 1001 4428 1001 4431 1001 4434 | ○ | ○ | ○ | ○ | ○ | ○ | ○ |
| (**) | | Serie guarnizioni | Set of gaskets | | | 1001 4423 1001 4427 1001 4424 1001 4435 1001 4429 1002 6489 | ○ | ○ | ○ | ○ | ○ | ○ | ○ |
| +F*** | | Kit flange | Kit flange | DN 100 PN16 DN 100 PN16 4" ASA150 4" ASA150 | G B G B | 1004 2352 1004 2787 1004 2820 1004 2824 | ○ | ○ | ○ | ○ | ○ | ○ | ○ |
| +P*** | | Kit ingrassatore | Compl. Grease kit | | | 1000 8316 | ○ | ○ | ○ | ○ | ○ | ○ | ○ |
| +Z*** | | Kit portine | Set of couver | | GZ | 1001 4027 | ○ | ○ | ○ | ○ | ○ | ○ | ○ |
| *** | | Optional | | | | | | | | | | | |

VARISCO S.p.A.

35129 Padova – Z.I. Nord Terza Strada, 9

Tel. 049 82 94 111

+39 049 82 94 111

Fax 049 82 94 373

International +39 049 80 76 762



HEMPEL
Antriebs-Technik

+49 (2154) 4989-37 - pumpen@hem-net.de



varisco
solid pumping solutions

| Note: | | Notes: | |
|--|---------------------------|---|-----------------------------------|
| 1) Completo di prigionieri (47, 48, 48.1, 49, 50, 54). | | 1) Complete with studs (47, 48, 48.1, 49, 50, 54). | |
| 2) Completo di viti (57). | | 2) Complete with screws (57). | |
| 3) Completo di supporto (06), piede (06.1), vite (06.2) e rondella (06.3). | | 3) Complete with bearing housing (06), foot (06.1), screw (06.2) and | |
| 4) Completo di linguette (60, 61), dado (33), rondella (66) e ghiera (62). | | 4) Complete with keys (60, 61), nut (33), washer (66) and lock ring | |
| * Materiali di costruzione | | * Construction materials | |
| B | = Bronzo | B | = Bronze |
| G | = Ghisa | G | = Cast iron |
| G+QPQ | = Ghisa + trattamento QPQ | G+QPQ | = Cast iron+ Quench Polish Quench |
| GS | = Ghisa sferoidale | GS | = Ductile cast iron |
| H | = Acciaio INOX AISI 304 | H | = AISI 304 Stainless steel |
| K | = Acciaio INOX AISI 316 | K | = AISI 316 Stainless steel |
| K9 | = Acciaio INOX AISI 329 | K9 | = AISI 329 Stainless steel |
| N | = Gomma nitrile | N | = Nitrile rubber |
| OTS | = Ottone | OTS | = Brass |
| S | = Acciaio | S | = Steel |
| S3 | = Acciaio 38NiCrMo4 | S3 | = Steel 38NiCrMo4 |
| T | = Teflon | T | = Teflon |
| V | = Viton | V | = Viton |
| Z | = Zinco | Z | = Zinc |
| Ordinare il materiale indicando sempre la quantità, la denominazione, il codice del pezzo, il tipo ed il numero della pompa. | | When ordering spares always indicate type and serial number of pump, quantity, part name, and number. | |

VARISCO S.p.A.

35129 Padova – Z.I. Nord Terza Strada, 9

Tel. 049 82 94 111

Fax 049 82 94 373

+39 049 82 94 111
International +39 049 80 76 762



HEMPEL
AntriebsTechnik

+49 (2154) 4989-37 . pumpen@hem-net.de



varisco
solid pumping solutions