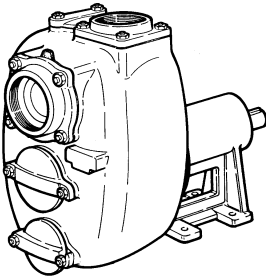
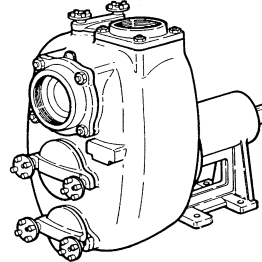


DISTINTA DELLE PARTI COSTITUENTI LE POMPE CENTRIFUGHE AUTOADESCANTI SERIE " J "

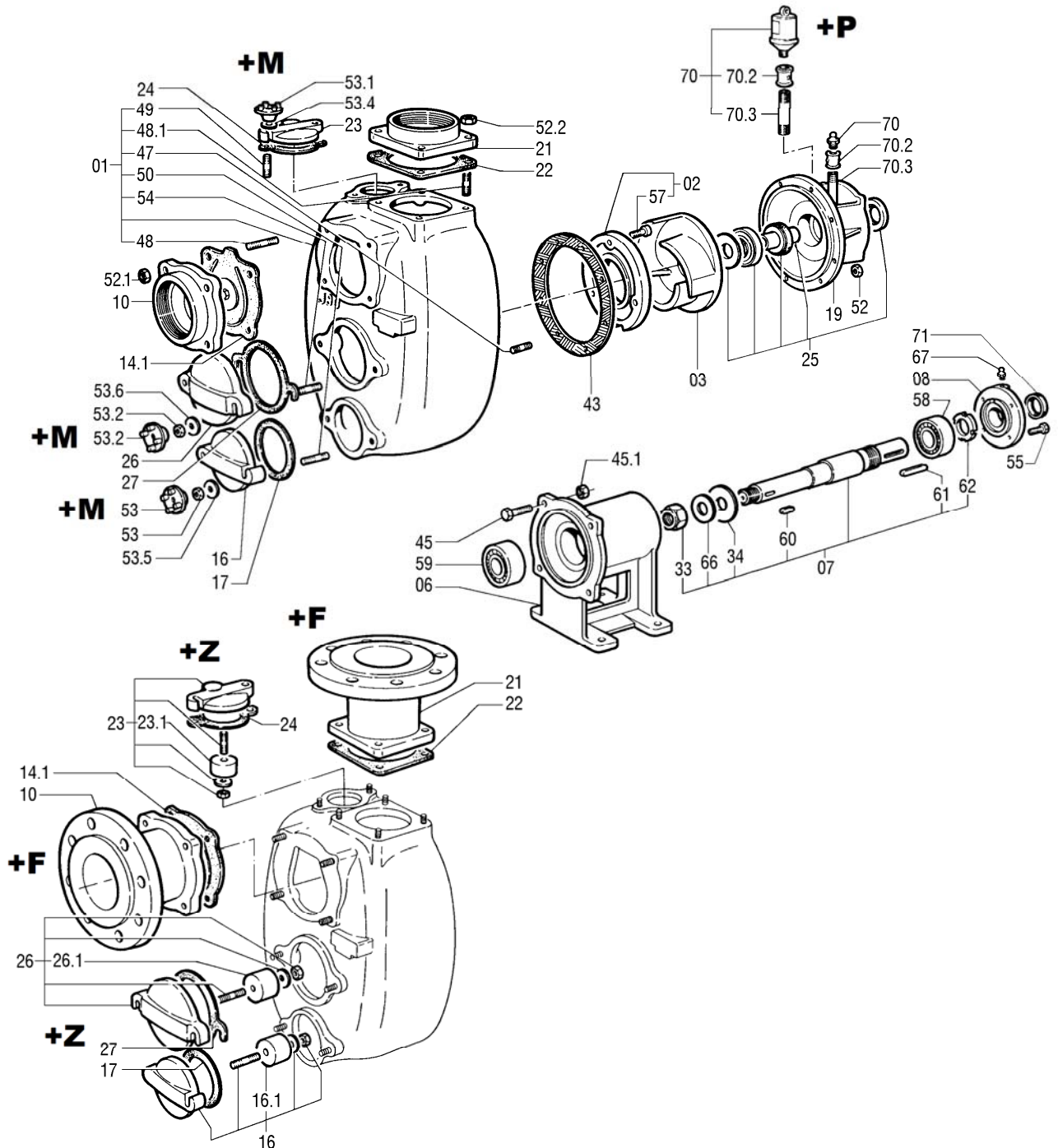
SPARE PARTS LIST FOR " J " SERIES SELF-PRIMING PUMPS



JS 4-159 G10 Code 1000 9294
 JS 4-159 P10 Code 1003 4992
 JS 4-159 G11 Code 1004 3397
 JS 4-159 P30 Code 1002 0457
 JS 4-159 T10 Code 1004 3395



JS 4-159 Q10 Code 1001 3774



Rif. N°. Pos. Nr.	Quant.	Denominazione	Part name	Den. Comm. Type	Mat.*	Codice Nuovo New Part No.	JS 4-159 G10	JS 4-159 P10	JS 4-159 Q10	JS 4-159 G11	JS 4-159 P30	JS 4-159 T10	
01	1	Corpo (1)	Casing (1)		G	1000 8048	○	○		○	○		
					G	1004 6741			○				
					G+QPQ	1004 6824					○		
02	1	Piatto d'usura (2)	Front wear plate (2)		G	1000 8441	○			○			
					B	1000 8392			○				
					G+QPQ	1004 6825						○	
					G	1000 8417		○			○		
03	1	Girante	Impeller		G	1000 5294	○	○		○	○		
					B	1000 5205			○				
					G+QPQ	1004 3391						○	
06	1	Supporto	Bearing housing		G	1000 6865	○	○	○	○	○	○	
07	1	Albero (3)	Shaft (3)		S	1000 7575	○	○		○	○	○	
					K	1000 7605			○				
08	1	Copricuscinetto	Bearing cover		G	1000 4774	○	○	○	○	○	○	
10	1	Portavalvola	Suction flange	R4"	G	1000 6426	○	○		○	○	○	
					R4"	B	1000 6401			○			
					DIN DN 100 PN 16						+F	+F	+F
14.1	1	Valvola completa	Check valve ass.		NH	1000 9032	○			○		○	
					VK	1000 9024		○	○		○		
16	1	Portina	Cover		G	1000 6474	○	○		○	○	○	
					GZ	1000 8503	+Z		○	+Z			
16.1	1	Placca zinco	Zinc anode		Z	1000 3810	+Z		○	+Z			
17 (**)	1	Guarnizione	Gasket										
19	1	Portamotore	Head		G	1000 6304	○	○	○			○	
					G+QPQ	1004 3392							○
					G	1004 3389							○
21	1	Flangia mandata	Discharge flange	R4"	G	1000 5094	○	○		○	○	○	
					R4"	B	1000 5072			○			
					DIN DN 100 PN 16	B	1000 5075	+F	+F	+F	+F	+F	+F
22 (**)	1	Guarnizione	Gasket										
23	1	Portina	Cover		G	1000 6473	○	○		○	○	○	
					GZ	1000 8502			○				
23.1	1	Placca zinco	Zinc anode		Z	1000 3810			○				
24 (**)	1	Guarnizione	Gasket										
25	1	Tenuta completa	Mechanical seal	T 35 YYN		1000 8836	○			○		○	
					T 35 GYV		1000 8831					○	
					T 35 YYV		1000 8834		○	○			
26	1	Portina	Cover		G	1000 6475	○	○		○	○	○	
					GZ	1000 8504	+Z		○	+Z			
26.1	1	Placca zinco	Zinc anode		Z	1000 3810	+Z		○	+Z			
27 (**)	1	Guarnizione	Gasket										
33	1	Dado blocca girante	Impeller nut	M 24 x 2 UNI 7474	H	1000 1465	○	○		○	○	○	
					K	1000 1472			○				
34	1	Anello spartiacque	Water deflector	30 x 85 x 1	H	1000 4111	○		○	○		○	
43 (**)	2	Guarnizione corpo	Casing gasket										
45	4	Vite	Screw	M 12 x 40 DIN 933	S	1000 1962	○	○		○	○	○	
					K	1000 2054			○				
45.1	4	Dado	Nut	M 12 DIN 934	S	1000 1422	○	○		○	○	○	
					K	1000 1439			○				
47 (*)	8	Prigioniero	Stud	M 10 x 25 DIN 938	S		○	○		○	○	○	
					K				○				
48 (*)	4	Prigioniero	Stud	M 12 x 30 DIN 938	S		○	○		○	○	○	
					K				○				
48.1 (*)	4	Prigioniero	Stud	M 12 x 30 DIN 938	S		○	○		○	○	○	
					K				○				
49 (*)	2	Prigioniero	Stud	M 10 x 30 DIN 938	S		○	○		○	○	○	
					K				○				
50 (*)	2	Prigioniero	Stud	M 10 x 30 DIN 938	S		○	○		○	○	○	
					K				○				
52 (*)	8	Dado	Nut	M 10 DIN 934	S		○	○		○	○	○	
					H				○				
52.1 (*)	4	Dado	Nut	M 12 DIN 934	S		○	○		○	○	○	
					H				○				

VARISCO S.p.A.

Terza Strada, 9 - Z.I. Nord - 35129 Padova - Italy

Tel. 049 82 94 111

Fax 049 82 94 373

+39 049 82 94 111

International +39 049 80 76 762



HEMPEL
AntriebsTechnik

+49 (2154) 4989-37 - pumpe@hem-net.de



varisco
solid pumping solutions

Rif. N° Pos. Nr.	Quant.	Denominazione	Part name	Den. Comm. Type	Mat.*	Codice Nuovo New Part No.	JS 4-159 G10	JS 4-159 P10	JS 4-159 Q10	JS 4-159 G11	JS 4-159 P30	JS 4-159 T10
52.2 (*)	4	Dado	Nut	M 12 DIN 934 M 12 DIN 934	S H		○	○	○	○	○	○
53 (*)	2	Maniglietta Dado	Wrench Nut	M 10 M 10 DIN 934	OTS		+M	+M	○	+M	+M	+M
53.1 (*)	2	Maniglietta Dado	Wrench Nut	M 10 M 10 DIN 934	OTS		+M	+M	○	+M	+M	+M
53.2 (*)	2	Maniglietta Dado	Wrench Nut	M 12 M 12 DIN 934	OTS		+M	+M	○	+M	+M	+M
53.4 (*)	2	Rondella	Washer	M 10 DIN 125 A	S		○	○	○	○	○	○
53.5 (*)	2	Rondella	Washer	M 10 DIN 125 A	S		○	○	○	○	○	○
53.6 (*)	2	Rondella	Washer	M 12 DIN 125 A	S		○	○	○	○	○	○
54 (*)	2	Prigioniero	Stud	M 12 x 35 DIN 938 M 12 x 35 DIN 938	S K		○	○	○	○	○	○
55	4	Vite	Screw	M 6 x 20 DIN 933 M 6 x 20 DIN 933	S K	1000 1933 1000 2023	○	○	○	○	○	○
57 (*)	3	Vite	Screw	M 10 x 20 DIN 912 M 10 x 20 DIN 912	H K		○	○	○	○	○	○
58	1	Cuscinetto	Ball bearing	6307 Z		1000 1376	○	○	○	○	○	○
59	1	Cuscinetto	Ball bearing	62207 - 2RS		1000 1364	○	○	○	○	○	○
60	1	Linguetta	Key	8x7x32 DIN 6885 A	K	1000 1624	○	○	○	○	○	○
61	1	Linguetta	Key	8x7x50 DIN 6885 A	S	1000 1594	○	○	○	○	○	○
62	1	Ghiera	Sleeve	M 35	S	1000 1571	○	○	○	○	○	○
66	1	Rondella	Washer	M 24 DIN 125 A M 24 DIN 125 A	H K	1000 1714 1000 1713	○	○	○	○	○	○
67	1	Ingrassatore	Grease nipple	M 6		1000 1664	○	○	○	○	○	○
70 (*)	1	Ingrassatore	Grease nipple	M 1/4"			○	○	○	○	○	○
	1	Cartuccia Perma (5)	Perma cartridge (5)	M 1/4"		1000 8316	+P	+P	+P	+P	+P	+P
70.2	1	Manicotto	Union	1/4"	G	1000 2352	+P	+P	+P	+P	+P	+P
70.3	1	Prolunga	Grease tube	1/4"	S	1000 6955	+P	+P	+P	+P	+P	+P
71	1	V-Ring	V-Ring		N	1000 1293	○	○	○	○	○	○
(*)		Serie viterie	Set of screws			1001 4194 1001 4208	○	○	○	○	○	○
(**)		Serie guarnizioni	Set of gaskets			1001 4195 1001 4196 1001 4209	○	○	○	○	○	○
+F***		Kit flange	Kit flange	DN 100 PN16 DN 100 PN16 4" ASA150 4" ASA150	G B G B	1004 2352 1004 2787 1004 2820 1004 2824	○	○	○	○	○	○
+P***		Kit ingrassatore	Compl. Grease kit			1000 8316	○	○	○	○	○	○
+Z***		Kit portine	Set of couver		GZ	1001 4027	○	○	○	○	○	○
+M***		Kit manigliette	Set of wrench		OTS	1004 2351	○	○	○	○	○	○
***		Optional										

Note:	Notes:
1) Completo di prigionieri (47, 48, 48.1, 49, 50, 54).	1) Complete with studs (47, 48, 48.1, 49, 50, 54).
2) Completo di viti (57).	2) Complete with screws (57).
3) Completo di linguette (60, 61), dado (33), rondella (66), ghiera (62) e anello spartiacque (34).	3) Complete with keys (60, 61), nut (33), water deflector (34) washer (66), and lock ring (62).
4) Completo di prigioniero, placca (16.1 o 23.1 o 26.1), rondella e dado.	4) Complete with stud, zinc anode (16.1 or 23.1 or 26.1), washer and nut.
* Materiali di costruzione	* Construction materials
B = Bronzo	B = Bronze
G = Ghisa	G = Cast iron
H = Acciaio inox AISI 304	H = AISI 304 stainless steel
K = Acciaio inox AISI 316	K = AISI 316 stainless steel
N = Gomma nitrile	N = Nitrile rubber
OTS = Ottone	OTS = Brass
S = Acciaio	S = Steel
V = Viton	V = Viton
Z = Zinco	Z = Zinc
Ordinare il materiale indicando sempre la quantità, la denominazione, il codice del pezzo, il tipo ed il numero della pompa.	When ordering spares always indicate type and serial number of pump, quantity, part name, and number.

VARISCO S.p.A.

Terza Strada, 9 - Z.I. Nord - 35129 Padova - Italy

Tel. 049 82 94 111

+39 049 82 94 111

Fax 049 82 94 373

International +39 049 80 76 762



HEMPEL
AntriebsTechnik

+49 (2154) 4989-37 - pumpe@hem-net.de



varisco
solid pumping solutions

VARISCO S.p.A.
Terza Strada, 9 - Z.I. Nord - 35129 Padova - Italy
Tel. 049 82 94 111 +39 049 82 94 111
Fax 049 82 94 373 International +39 049 80 76 762



HEMPEL
Antriebs *Technik*

+49 (2154) 4989-37 . pumpen@hem-net.de



varisco
solid pumping solutions