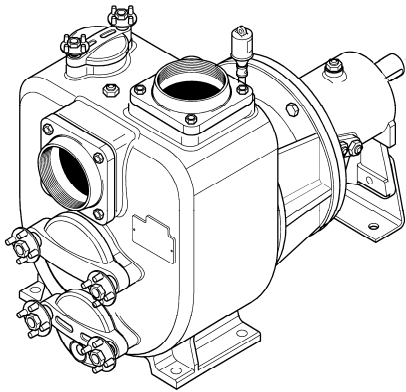
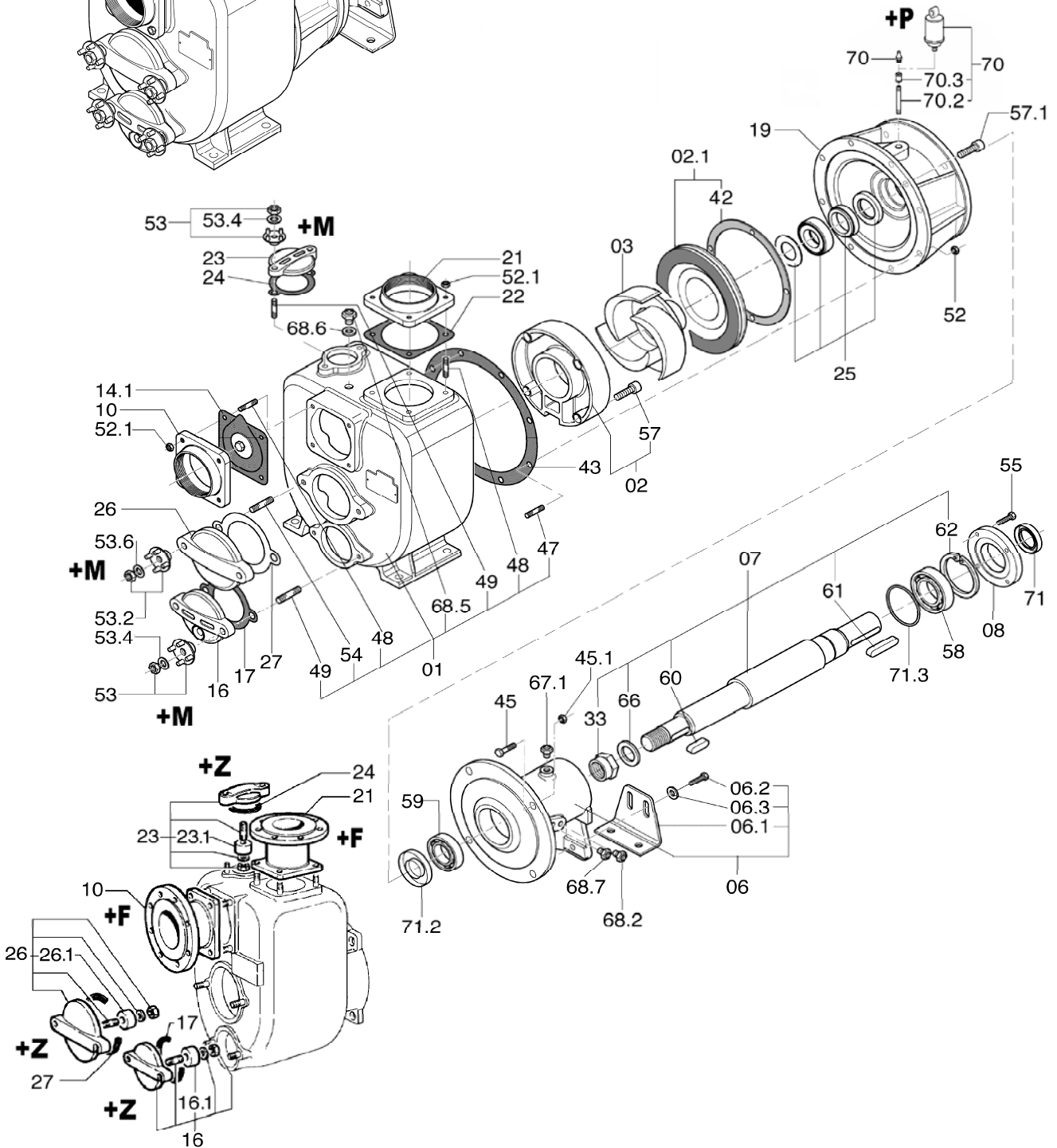


DISTINTA DELLE PARTI COSTITUENTI LE POMPE CENTRIFUGHE AUTOADESCANTI SERIE " J "
SPARE PARTS LIST FOR "J" SERIES SELF-PRIMING PUMPS
LISTE DES PIECES DE RECHANGE POUR POMPES CENTRIFUGES AUTO-AMORCANTES SERIE " J "
ERSATZTEILLISTE FÜR SELBSTANSAUGENDE KREISELPUMPEN SERIE " J "



JS 3-225 G10	Code 10036005
JS 3-225 Q10	Code 10036036
JS 3-225 B10	Code 10036046
JS 3-225 P10	Code 10036052
JS 3-225 F10	Code 10036042



Rif. N° Pos. Nr.	Quant.	Denominazione	Part name	Den. Comm. Type	Mat. *	Codice Nuovo New Part. No.	JS 3-225 G10	JS 3-225 Q10	JS 3-225 B10	JS 3-225 P10	JS 3-225 F10
01	1	Corpo (1)	Casing (1)		G	1000 8034	○			○	○
					B	1000 8026			○		
					G	1002 7654		○			
02	1	Piatto d' usura (2)	Wear plate (2)		G	1002 4210	○			○	○
					B	1002 7655		○	○		
02.1	1	Piatto d' usura (3)	Wear plate (3)		G	1000 8416	○			○	○
03	1	Girante	Impeller		B	1000 8403					
					G	1002 8324	○			○	
					K	1003 6041				○	
					B	1003 6023		○			○
06	1	Supporto	Bearing housing		G	1003 5999	○	○	○	○	○
06.1	1	Piede supporto	Bearing housing foot		S	1000 6142	○	○	○	○	○
06.2	2	Vite	Screw	M 12 x 30 DIN 933	S	1000 1960	○	○	○	○	○
06.3	2	Rondella	Washer	M 12 DIN 125 A	S	1000 1699	○	○	○	○	○
07	1	Albero (4)	Shaft (4)		S	1002 8330	○			○	○
					K	1003 6034		○	○		○
08	1	Copricuscinetto	Bearing cover		G	1002 8322	○	○	○	○	○
10	1	Portavalvola	Suction flange	R 3" R 3"	G	1000 6422	○			○	○
					OTS	1000 6399		○	○		○
							+F	+F	+F	+F	+F
14.1	1	Valvola completa (5)	Check valve ass. (5)		NK	1000 9019	○	○	○		
					VK	1000 9022				○	○
16	1	Portina	Cover		S	1000 6474	○			○	○
					OTS	1000 8503				○	
					SZ	1000 3749	+Z	○			
16.1	1	Placca zinco	Zinc anode		Z	2720 0000	+Z				
17 (**)	2	Guarnizione	Gasket								
19	1	Portamotore	Head		G	1002 8325	○	○		○	○
					G	1003 6044				○	
21	1	Flangia mandata	Discharge flange	R 3" R 3"	G	1000 5090	○			○	○
					OTS	1000 5070		○	○		○
							+F	+F	+F	+F	+F
22 (**)	1	Guarnizione	Gasket								
23	1	Portina	Cover		S	1000 6473	○			○	○
					OTS	1000 3748				○	
					SZ	1000 8502	+Z	○			
23.1	1	Placca zinco	Zinc anode				+Z				
25	1	Anello di tenuta	Mechanical seal ass.	T 35 YYN T 35 GYV T 35 YVY		1002 8341	○	○	○		
						10036047				○	
						1003 6039					○
26	1	Portina	Cover		G	1000 6475	○			○	○
					GZ	1000 8504	+Z	○			
					B	1000 6468				○	
26.1	2	Placca zinco	Zinc anode		Z	2720 0000	+Z				
27 (**)	1	Guarnizione	Gasket								
33	1	Dado girante	Impeller nut	M 24 x 2 UNI 7474 M 24 x 2 UNI 7474	H	1000 1465	○			○	○
					K	1000 1472				○	○
42	1	Guarnizione piatto	Wear plate gasket								
43 (**)	1	Guarnizione corpo	Casing gasket								
45	4	Vite	Screw	M 12 x 40 DIN 933 M 12 x 40 DIN 933	S	1000 1962	○			○	○
					K	1000 2054		○	○		○
45.1	4	Dado	Nut	M 12 DIN 934	S	1000 1422	○			○	○
					K	1000 1439		○	○		○
47 (*)	8	Prigioniero	Stud	M 10 x 25 DIN 938 M 10 x 25 DIN 938	S		○			○	○
					K			○	○		○
48 (*)	8	Prigioniero	Stud	M 10x25 DIN 938 M 10x25 DIN 938	S		○			○	○
					K			○	○		○
49 (*)	4	Prigioniero	Stud	M 10x30 DIN 938 M 10x30 DIN 938	S		○			○	○
					K			○	○		○
52 (*)	8	Dado	Nut	M 10 DIN 934	S		○			○	○
					H			○	○		○

VARISCO S.p.A.

35129 Padova – Z.I. Nord Terza Strada, 9

Tel. 049 82 94 111

+39 049 82 94 111

Fax 049 82 94 373

International +39 049 80 76 762



HEMPEL
Antriebs-Technik

+49 (2154) 4989-37 - pumpe@hem-net.de



varisco
solid pumping solutions

Rif. N° Pos. Nr.	Quant.	Denominazione	Part name	Den. Comm. Type	Mat. *	Codice Nuovo New Part. No.	JS 3-225 G10	JS 3-225 Q10	JS 3-225 B10	JS 3-225 P10	JS 3-225 F10
52.1(*)	8	Dado	Nut	M 10 DIN 934	S H		○	○	○	○	○
53 (*)	4	Dado	Nut	M 10 DIN 934	S H		○	○	○	○	○
		Maniglietta	Wrench	M 10	OTS		+M	○	○		
53.2 (*)	2	Dado	Nut	M 12 DIN 934	S H		○	○	○	○	○
		Maniglietta	Wrench	M 12	OTS		+M	○	○		
53.4 (*)	4	Rondella	Washer	M 10 DIN 125 A	S H		○			○	○
53.6 (*)	2	Rondella	Washer	M 12 DIN 125 A	S H		○			○	○
54 (*)	2	Prigioniero	Stud	M 12x35 DIN 938 M 12x35 DIN 938	S K		○	○	○	○	○
55	2	Vite	Screw	M 6x25 DIN 933	S K	1002 8349 1000 2069	○	○	○	○	○
57 (*)	3	Vite	Screw	M 10x35 DIN 912	K		○	○	○	○	○
58	1	Cuscinetto	Ball bearing	6307 C3		1003 6001	○	○	○	○	○
59	1	Cuscinetto	Ball bearing	6207		1003 6000	○	○	○	○	○
60	1	Linguetta	Key	8 x 7 x 30 DIN 6885A	K	1002 8331	○	○	○	○	○
61	1	Linguetta	Key	8 x 7 x 50 DIN 6885A	S	1000 1594	○	○	○	○	○
62	1	Anello	Ring	D.35 UNI7435	S	1002 8353	○	○	○	○	○
66	1	Rondella	Washer	M 24 DIN 125 A	H K	1000 1714 1000 1713	○	○	○	○	○
67.1	1	Tappo	Plug	1/4"		1002 5074	○	○	○	○	○
68.2	1	Tappo	Plug	1/4" BSP		10002379	○	○	○	○	○
68.5	1	Tappo	Plug	1/4" 1/4" DIN908	S K	1000 2379 1000 2414	○	○	○	○	○
68.6	1	Guarnizione	Gasket	1/4"	E3	10005657	○	○	○	○	○
68.7	1	Tappo	Plug	1/4" BSP		1002 5076	○	○	○	○	○
70	1	Ingrassatore	Grease nipple	R 1/4"		1000 1662 1000 8316	+P	+P	+P		+P
70.2	1	Manicotto	Union	R 1/4" M/F	S		+P	+P	+P		+P
70.4	1	Prolunga	Grease tube	1/4"	S		+P	+P	+P		+P
71	1	Paraolio	Oil seal	35x55x10			○	○	○	○	○
71.2	1	Paraolio	Oil seal	35x72x10			○	○	○	○	○
71.3	1	Guarnizione	Gasket	OR 4312	N		○	○	○	○	○
(*)		Serie viterie	Set of screw			1002 8339 1003 6025 1003 6038	○	○	○	○	○
(**)		Serie guarnizioni	Set of gaskets		N V N N	1001 4162 1001 4193 1001 4473 1001 4175	○		○	○	○
+F***		Kit flange	Kit flange	DIN PN 16 DN 80 DIN PN 16 DN 80	G B	1000 5092 1000 5071	○	○	○	○	○
+P***		Kit ingrassatore	Compl. Grease kit			1000 8316	○	○	○	○	○
+Z***		Kit portine	Set of couver		GZ	1001 4076	○	○	○	○	○
+M***		Kit manigliette	Set of wrench		OTS	1004 2260	○	○	○	○	○
***		Optional									

VARISCO S.p.A.

35129 Padova – Z.I. Nord Terza Strada, 9

Tel. 049 82 94 111

Fax 049 82 94 373

+39 049 82 94 111

International +39 049 80 76 762



HEMPEL
AntriebsTechnik

+49 (2154) 4989-37 . pumpen@hem-net.de



varisco
solid pumping solutions

Note:		Notes:	
1) Completo di prigionieri (47, 48, 49, 50).		1) Complete with studs (47, 48, 49,50).	
2) Completo di viti (57).		2) Complete with screws (57).	
3) Completo di guarnizione (42).		3) Complete with gasket (42).	
4) Completo di dado, rondella e linguette (33, 60, 61, 66)		4) Complete with nut, washer and keys (33, 60, 61, 66)	
5) Completo di valvola, contrappesi, vite e dado		5) Complete with check valve, weights, screw and nut	
* Materiali di costruzione		* Construction materials	
B	Bronzo	B	Bronze
E3	Centellen VS 3820	E3	Centellen VS 3820
G	Ghisa	G	Cast iron
H	Acciaio inox AISI 304	H	AISI 304 stainless steel
K	Acciaio inox AISI 316	K	AISI 316 stainless steel
N	Gomma nitrile	N	Nitrile rubber
OTS	Ottone	OTS	Brass
S	Acciaio	S	Steel
V	Viton	V	Viton
Ordinare il materiale indicando sempre la quantità, la denominazione, il codice del pezzo, il tipo e il numero della pompa.		When ordering spares always indicate: quantity, part name and part number, type and serial number of pump.	

VARISCO S.p.A.

35129 Padova – Z.I. Nord Terza Strada, 9

Tel. 049 82 94 111

+39 049 82 94 111

Fax 049 82 94 373

International +39 049 80 76 762



HEMPEL
AntriebsTechnik

+49 (2154) 4989-37 . pumpen@hem-net.de



varisco
solid pumping solutions