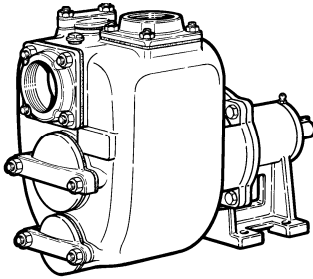
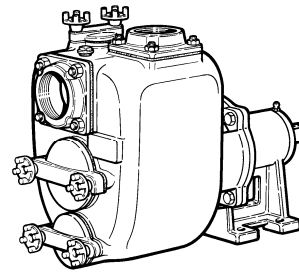


## DISTINTA DELLE PARTI COSTITUENTI LE POMPE CENTRIFUGHE AUTOADESCANTI SERIE " J "

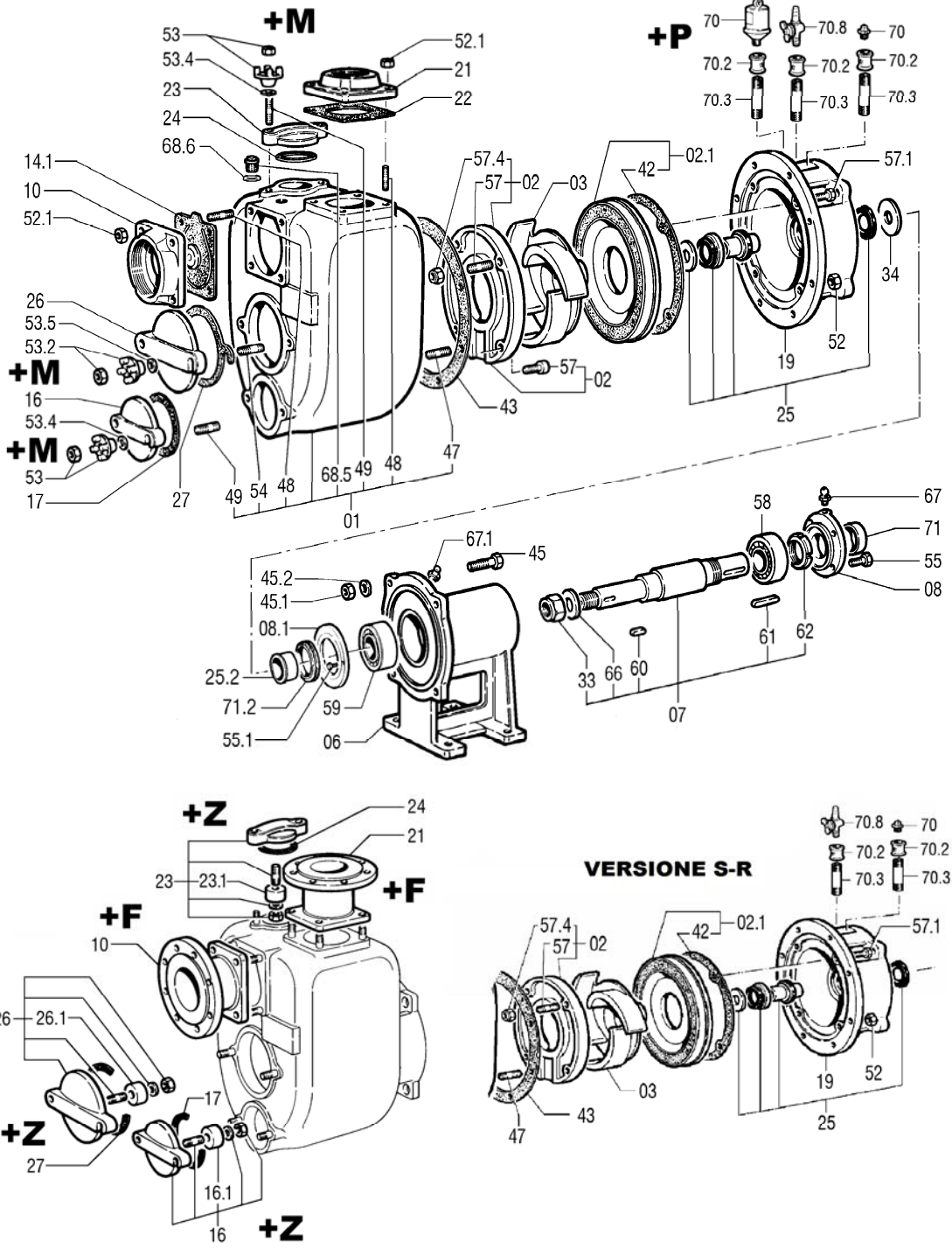
### SPARE PARTS LIST FOR " J " SERIES SELF-PRIMING PUMPS



JS 3-210 G10 Code 1000 9314  
 JS 3-210 P10 Code 1000 9310  
 JS 3-210 F10 Code 1000 9335  
 JS 3-210 T10 Code 1000 9335



JS 3-210 Q10 Code 1000 9331  
 JS 3-210 B10 Code 1000 9354  
 JS 3-210 S11 Code 1000 9326  
 JS 3-210 R11 Code 1000 9326



Rif. N° Pos. Nr.	Quant.	Denominazione	Part name	Den. Comm. Type	Mat.*	Codice Nuovo New Part. no.	JS 3-210 G10	JS 3-210 P10	JS 3-210 F10	JS 3-210 Q10	JS 3-210 B10	JS 3-210 S11	JS 3-210 T10	JS 3-210 RT1		
01	1	Corpo (1)	Casing (1)		G	1000 8034	○	○								
					B	1000 8026				○						
					G	1002 7654			○	○						
					G+QPQ	1002 5851								○	○	
					G	1002 0155								○		
02	1	Piatto d'usura (2)	Wear plate (2)		G	1000 8415		○	○							
					GN	1000 8439	○									
					G+QPQ	1002 8399								○		
					B	1000 8402				○	○					
					GN	1002 0154								○		○
02.1	1	Piatto poggia girante (3)	Wear plate (3)		G	1000 8416		○	○							
					GN	1000 8440	○						○		○	
					G+QPQ	1002 5866								○		
					B	1000 8403				○	○					
03	1	Girante	Impeller		G	1000 5291	○	○								
					G+QPQ	1001 8615								○		
					B	1000 5203				○	○					
					S	1000 5382								○		
					S+QPQ	1002 7048										○
K	1000 5394				○											
06	1	Supporto	Bearing housing		G	1000 6865	○	○	○	○	○		○	○		
					G	1000 6875							○			
07	1	Albero (4)	Shaft (4)		S	1000 7575	○	○					○	○		
					S	1002 0158								○		
					K	1000 7605			○	○						
08	1	Copricuscinetto	Bearing cover		G	1000 4774	○	○	○	○	○	○	○			
08.1	1	Copricuscinetto	Bearing cover		G	1000 4788						○				
					G	1000 4774	○	○	○	○	○		○	○		
10	1	Portavalvola	Suction flange	R 3" R 3"	G	1000 6422	○	○	○			○	○	○		
					OTS	1000 6399				○	○					
							+F	+F	+F	+F	+F	+F	+F	+F		
14.1	1	Valvola completa	Check valve ass.		NK	1000 9019	○				○	○	○	○		
					VK	1000 9022			○	○						
16	1	Portina	Cover		G	1000 6474	○	○	○			○	○	○		
					GZ	1000 8503	+Z	+Z		○				+Z	+Z	
					OTS	1000 3749					○					
16.1	2	Placca zinco	Zinc anode		Z	1000 3810	+Z	+Z		○			+Z	+Z		
17 (**)	1	Guarnizione	Gasket													
19	1	Portamotore	Head		G	1000 6305	○	○	○	○			○			
					G	1000 6317								○		
					G+QPQ	1002 4686									○	
					G+QPQ	1002 7049										○
					B	1000 6283								○		
21	1	Flangia mandata	Discharge flange	R 3" R 3"	G	1000 5090	○	○	○			○	○	○		
					OTS	1000 5070				○	○					
							+F	+F	+F	+F	+F	+F	+F	+F		
22 (**)	1	Guarnizione	Gasket													
23	1	Portina	Cover		S	1000 6473	○	○	○			○	○	○		
					G	1000 6486										
					SZ	1000 8502	+Z	+Z		○				+Z	+Z	
					B	1000 3748					○					
23.1	1	Placca zinco	Zinc anode		Z	1000 3810	+Z	+Z		○			+Z	+Z		
24 (**)	1	Guarnizione	Gasket													
25	1	Anello di tenuta compl.	Mechanical seal ass.	T35 YWN T35 GYV T35 GCV T35 YYV		1000 8836	○				○	○	○	○		
						1000 8831			○							
						1000 8832										
						1000 8834				○	○					
25.2	1	Anello di compensazione	Sleeve		K	1000 4064					○		○			
26	1	Portina	Cover		G	1000 6475	○	○	○			○	○	○		
					GZ	1000 8504	+Z	+Z		○				+Z	+Z	
					B	1000 6468					○					
26.1	2	Placca zinco	Zinc anode		Z	1000 3810	+Z	+Z		○			+Z	+Z		

VARISCO S.p.A.

35129 Padova - Z.I. Nord Terza Strada, 9

Tel. 049 82 94 111

Fax 049 82 94 373

+39 049 82 94 111

International +39 049 80 76 762



**HEMPEL**  
AntriebsTechnik

+49 (2154) 4989-37 - pumpe@hem-net.de

**varisco**  
solid pumping solutions

Rif. N°. Pos. Nr.	Quant.	Denominazione	Part name	Den. Comm. Type	Mat.*	Codice Nuovo Part. no.	JS 3-210 G10	JS 3-210 P10	JS 3-210 F10	JS 3-210 Q10	JS 3-210 B10	JS 3-210 S11	JS 3-210 T10	JS 3-210 RT1		
27 (**)	1	Guarnizione	Gasket													
33	1	Dado blocca girante	Impeller nut	M 24 x 2 UNI 7474	H	1000 1465	○	○					○	○	○	
				M 24 x 2 UNI 7474	K	1000 1472			○	○	○					
34	1	Anello spartiacque	Water deflector		H	1000 4111	○	○	○	○	○			○	○	
42 (**)	1	Guarnizione piatto	Wear plate gasket													
43 (**)	2	Guarnizione corpo	Casing gasket													
45	4	Vite	Screw	M 12 x 40 DIN 933	S	1000 1962	○	○						○	○	
				M 12 x 35 DIN 931	S	1000 1961							○			
				M 12 x 40 DIN 933	K	1000 2054			○	○	○					
45.1	4	Dado	Nut	M 12 DIN 934	S	1000 1422	○	○					○	○	○	
					K	1000 1439			○	○	○					
45.2	4	Rondella	Washer	M 12 DIN 125A	S	1000 1699	○	○					○	○	○	
					K	1000 1706			○	○	○					
47 (*)	8	Prigioniero	Stud	M 10 x 25 DIN 938	S		○	○					○	○	○	
				M 10 x 25 DIN 938	K				○	○	○					
48 (*)	8	Prigioniero	Stud	M 10 x 25 DIN 938	S		○	○					○	○	○	
				M 10x25 DIN 938	K				○	○	○					
49 (*)	4	Prigioniero	Stud	M 10 x 30 DIN 938	S		○	○						○	○	
				M 10 x 35 DIN 938	S								○			
				M 10 x 30 DIN 938	K					○	○					
				M 10 x 35 DIN 938	K				○	○	○					
52 (*)	8	Dado	Nut	M 10 DIN 934	S		○	○					○	○	○	
					H				○	○	○					
52.1 (*)	8	Dado	Nut	M 10 DIN 934	S		○	○					○	○	○	
					H			○	○	○						
53 (*)	4	Maniglietta	Wrench	M 10	OTS		<b>+M</b>	<b>+M</b>			○	○		<b>+M</b>	○	
				M 10 DIN 934	S		○	○					○			
				M 10 DIN 934	H				○							
53.2 (*)	2	Maniglietta	Wrench	M 12	OTS		<b>+M</b>	<b>+M</b>			○	○		<b>+M</b>	○	
				M 12 DIN 934	S		○	○					○			
				M 12 DIN 934	H				○							
53.4 (*)	4	Rondella	Washer	M 10 DIN 125 A	S		○	○								
				M 10 DIN 125 A	H				○							
53.5 (*)	2	Rondella	Washer	M 12 DIN 125 A			○	○						○		
				M 12 DIN 125 A	H				○							
54 (*)	2	Prigioniero	Stud	M 12 x 35 DIN 938	S		○	○					○	○	○	
				M 12 x 35 DIN 938	K				○	○	○					
55	4	Vite	Screw	M 6 x 20 DIN 933	S	1000 1933	○	○					○	○	○	
					K	1000 2023			○	○	○					
55.1	2	Vite copricuscinetto int.	Bearing cover screw	M 6 x 16 DIN 933	K	1000 2022							○	○	○	
57 (*)	4	Vite	Screw	M 10 x 20 DIN 912	H		○	○						○		
					K				○	○	○					
57.1 (*)	4	Prigioniero	Stud	M 10 x 30 DIN 938	K								○	○		
														○		
57.4 (*)	4	Dado	Nut	M 10 UNI 7474	K								○	○		
58	1	Cuscinetto	Ball bearing	6307 Z		1000 1376	○	○	○	○	○	○	○	○	○	
59	1	Cuscinetto	Ball bearing	62207-2RS		1000 1364	○	○	○	○	○			○		
				2207 TV		1000 1404							○		○	
60	1	Linguetta	Key	8 x 7 x 32 DIN6885A	K	1000 1624	○	○	○	○	○	○	○	○	○	
61	1	Linguetta	Key	8 x 7 x 50 DIN6885A		1000 1594	○	○	○	○	○	○	○	○	○	
62	1	Ghiera	Lock ring	M 35	S	1000 1571	○	○	○	○	○	○	○	○	○	
66	1	Rondella	Washer	M 24 DIN 125 A	H	1000 1714	○	○					○	○	○	
				M 24 DIN 125 A	K	1000 1713			○	○	○					
67	1	Ingrassatore	Grease nipple	M 6		1000 1664	○	○	○	○	○	○	○	○	○	
67.1	1	Ingrassatore	Grease nipple	M6		1000 1664							○	○	○	
68.5 (*)	1	Tappo	Plug	1/4"	S		○	○					○	○	○	
					K	1000 2414			○		○					
					S	1000 2379				○						
68.9	1	Guarnizione	Gasket	1/4" DIN 908 SP. 1,5	D	1000 5657			○		○					
70 (*)	1	Ingrassatore	Grease nipple	1/4"		1000 1662	○		○	○	○	○	○	○	○	
					Cartuccia Perma	Perma cartridge	1/4"		1000 8316	<b>+P</b>	<b>+P</b>	<b>+P</b>	<b>+P</b>	<b>+P</b>	<b>+P</b>	<b>+P</b>

VARISCO S.p.A.

35129 Padova – Z.I. Nord Terza Strada, 9

Tel. 049 82 94 111

Fax 049 82 94 373

+39 049 82 94 111  
International +39 049 80 76 762



**HEMPEL**  
Antriebs Technik

+49 (2154) 4989-37 - pumpe@hem-net.de

**varisco**  
solid pumping solutions

Rif. N°. Pos. Nr.	Quant.	Denominazione	Part name	Den. Comm. Type	Mat.*	Codice Nuovo New Part. no.	JS 3-210 G10	JS 3-210 P10	JS 3-210 F10	JS 3-210 Q10	JS 3-210 B10	JS 3-210 S11	JS 3-210 T10	JS 3-210 R11	
70.2 (*)	1	Manicotto	Union	1/4"	S		○	○	○	○	○	○	○	○	
	2						+P	+P	+P	+P	+P	+P	+P	+P	+P
70.3 (*)	1	Prolunga	Grease tube	1/4" X 57	S		○	○	○	○	○	○	○	○	
				1/4" X 75			+P	+P	+P	+P	+P	+P	+P	+P	+P
70.8 (*)	1	Rubinetto lava tenuta	Flushing of the seal	1/4"											
71	1	V-ring	V-ring		N	1000 1293	○	○	○	○	○	○	○	○	
(*)		Serie viterie	Set of screws			1001 4161	○	○					○		
						1001 4163									
						1001 4192			○						
						1001 4176				○					
(**)		Serie guarnizioni	Set of gaskets			1001 4162	○						○	○	
						1001 4193		○	○						
						1004 4061				○					
						1001 4473					○				
+F***		Kit flange	Kit flange	DN 80 PN16	G	1004 2810	○	○	○	○			○	○	
				DN 80 PN16	B	1004 2806				○	○				
				3" ASA150	G	1004 2819	○	○	○	○			○	○	
				3" ASA150	B	1004 2823				○	○				
+P***		Kit ingrassatore	Compl. Grease kit			○	○	○	○	○	○	○	○		
+Z***		Kit portine	Set of couver		GZ	1001 4174	○	○					○	○	
+M***		Kit manigliette	Set of wrench		OTS	1004 2795	○	○					○		
***		Optional													

Note:	Notes:
1) Completo di prigionieri (47, 48, 49,54) e tappi (68.5 e 68.8).	1) Complete with studs (47, 48, 49, 54) and plugs (68.5 and 68.8).
2) Completo di viti (57).	2) Complete with screws (57).
3) Completo di guarnizione (42).	3) Complete with gasket (42).
4) Completo di dado (33), linguette (60, 61), ghiera (62), rondella (66) e spartiacque (34).	4) Complete with nut (33), keys (60,61), sleeve (62), washer (62) and water deflector (34).
* Materiali di costruzione	* Construction materials
B = Bronzo	B = Bronze
D = Guarnital	D = Guarnital
G = Ghisa	G = Cast iron
G + QPQ = Ghisa + trattamento QPQ	G + QPQ = Cast iron+ Quench Polish Quench
H = Acciaio INOX AISI 304	H = AISI 304 Stainless steel
K = Acciaio INOX AISI 316	K = AISI 316 Stainless steel
N = Gomma nitrile	N = Nitrile rubber
OTS = Ottone	OTS = Brass
S = Acciaio	S = Steel
G + QPQ = Acciaio + trattamento QPQ	G + QPQ = Steel + Quench Polish Quench
V = Viton	V = Viton
Z = Zinco	Z = Zinc
Ordinare il materiale indicando sempre la quantità, la denominazione, il codice del pezzo, il tipo ed il numero della pompa.	When ordering spares always indicate type and serial number of pump, quantity, part name, and number.

VARISCO S.p.A.

35129 Padova - Z.I. Nord Terza Strada, 9

Tel. 049 82 94 111

Fax 049 82 94 373

+39 049 82 94 111

International +39 049 80 76 762



**HEMPEL**  
AntriebsTechnik

+49 (2154) 4989-37 . pumpe@hem-net.de

**varisco**  
solid pumping solutions