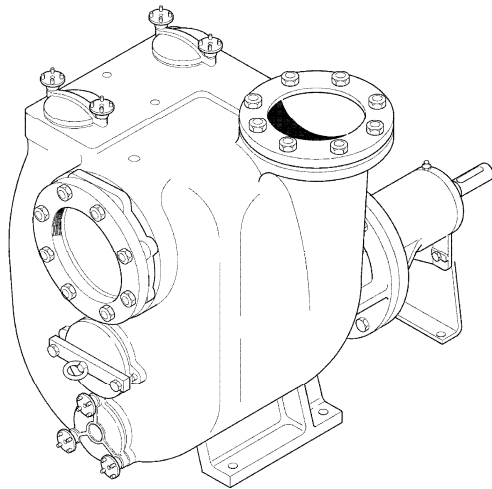
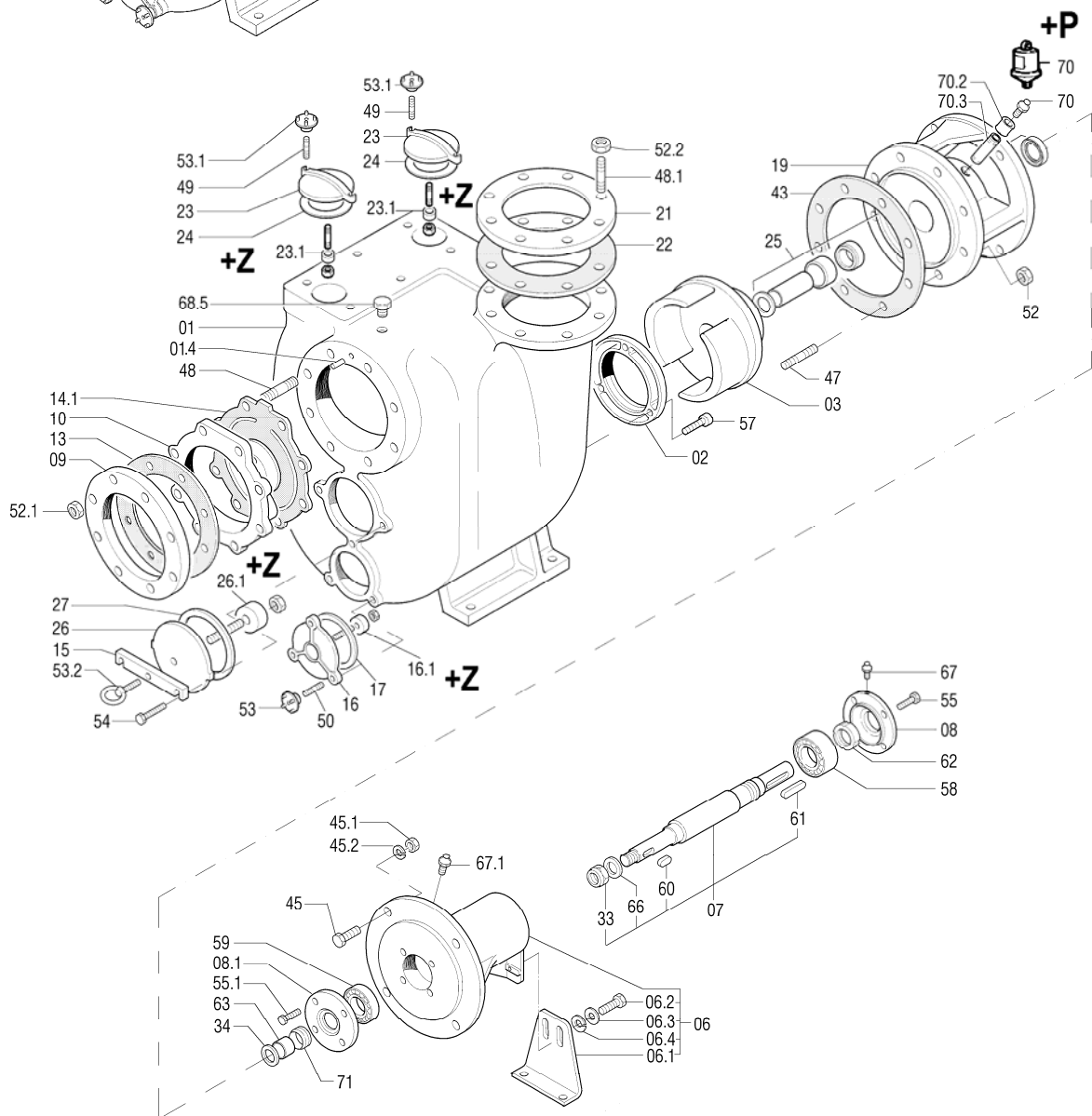


## DISTINTA DELLE PARTI COSTITUENTI LE POMPE CENTRIFUGHE AUTOADESCANTI SERIE " J "

### SPARE PARTS LIST FOR " J " SERIES SELF-PRIMING PUMPS



JS 10-305 G10	COD.1000 9549
JS 10-305 Q10	COD.1001 6687
JS 10-305 B10	COD.1001 6692
JS 10-305 T10	COD.1003 7893



**VARISCO S.p.A.**

35129 Padova - Z.I. Nord Terza Strada, 9

Tel. 049 82 94 111

Fax 049 82 94 373

+39 049 82 94 111  
International +39 049 80 76 762



**HEMPEL**  
AntriebsTechnik

+49 (2154) 4989-37 - pumpe@hem-net.de



**varisco**  
solid pumping solutions

Rif. N°. Pos. Nr.	Quant.	Denominazione	Part name	Den. Comm. Type	Mat.*	Codice Nuovo New Part. no.	JS10-305 G10	JS10-305 Q10	JS10-305 B10	JS10-305 T10
01	1	Corpo (1)	Casing (1)		G	1001 9537	○			
					G	1005 5742		○		
					B	1001 9538			○	
01.4(*)	1	Spina	Spring pin	UNI 6873 5x10	S		○	○	○	○
02	1	Piatto d'usura (2)	Wear plate (2)		GN	1000 8455	○			
					G+QPQ	1005 5743				○
					B	1000 8404			○	○
03	1	Girante	Impeller		G	1000 5454	○			
					G+QPQ	1000 5464				○
					B	1001 6238			○	○
06	1	Supporto (3)	Bearing housing (3)		G	1000 9060	○	○	○	○
06.1	1	Piede supporto	Base		S	1000 6147	○	○	○	○
06.2	1	Vite	Screw	M16 x 35 DIN933	S	1000 1972	○	○	○	○
06.3	2	Rondella	Washer	M 16 DIN125A	S	1000 1693	○	○	○	○
06.4	2	Rondella	Washer	M 16 UNI1751/52A	S	1000 1683	○	○	○	○
07	1	Albero (4)	Shaft (4)		S	1000 7589	○			
					K	1001 6685			○	○
08	1	Copricuscinetto	Bearing cover		G	1000 4782	○	○	○	○
08.1	1	Copricuscinetto	Bearing cover		G	1000 4789	○	○	○	○
09	1	Flangia aspirazione	Suction flange	DN 250 D.I. 1882	S	1000 1485	○	○	○	○
10	1	Portavalvola	Suction flange		G	1000 6433	○	○		○
					B	1000 6405				○
13 (**)	1	Guarnizione	Gasket	250 x 400 x 3						
14.1	1	Valvola completa	Check valve ass.		NG	1000 9029	○	○		○
					NB	1000 9038				○
15	1	Cavallotto	Clamp		F	1000 4428	○	○	○	○
16	1	Portina	Cover		S	1000 6477	○			○
					SZ	1000 8505	<b>+Z</b>	○		
					B	1000 3751			○	
16.1	2	Placca zinco	Zinc anode		Z		<b>+Z</b>	○		
17 (**)	1	Guarnizione	Gasket							
19	1	Portamotore	Head		G	1003 3848	○	○		○
					B	1003 3865				○
21	1	Flangia di mandata	Discharge flange	DN 250 D.I. 1882	S	1000 1485	○	○	○	○
22 (**)	1	Guarnizione	Gasket	250 x 400 x 3						
23	2	Portina	Cover		S	1000 6475	○			○
					SZ	1000 8504	<b>+Z</b>	○		
					B	1000 6468				○
23.1	4	Placca zinco	Zinc anode		Z		<b>+Z</b>	○		
24 (**)	2	Guarnizione	Gasket							
25	1	Tenuta completa	Mechanical seal	T 65 YYV		1004 4414	○	○	○	○
26	1	Portina	Cover		S	1000 6478	○			○
					SZ	1000 8506	<b>+Z</b>	○		
					B	1000 6469				○
26.1	2	Placca zinco	Zinc anode		Z		<b>+Z</b>	○		
27 (**)	1	Guarnizione	Gasket							
33	1	Dado bloccagirante	Impeller nut	M 42 x 3 UNI 7474	K	1000 6936	○			○
					K	1000 6942				○
34	1	Anello spartiacque	Water deflector		H	1000 4078	○	○	○	○
43 (**)	1	Guarnizione corpo	Casing gasket							
45	4	Vite	Screw	M 16 x 60 DIN 931	S	1000 1976	○			○
					K	1000 2065				○
45.1	4	Dado	Nut	M 16 DIN 934	S	1000 1425	○			○
					K	1000 1442				○
45.2	4	Rondella	Washer	M 16 UNI 1751/52 A	S	1000 1683	○			○
					K	1000 1686				○
47 (*)	8	Prigioniero	Stud	M 16 x 40 DIN 938	S		○			○
					K					○
48 (*)	8	Prigioniero	Stud	M 20 x 75 DIN 938	S		○			○
					H					○
48.1 (*)	8	Prigioniero	Stud	M 20 x 95	S		○			○
					K					○
49 (*)	4	Prigioniero	Stud	M 12 x 35 DIN 938	S		○			○
					K					○
50 (*)	4	Prigioniero	Stud	M 12 x 35 DIN 938	S		○			○
										○

VARISCO S.p.A.

35129 Padova – Z.I. Nord Terza Strada, 9

Tel. 049 82 94 111

Fax 049 82 94 373

+39 049 82 94 111  
International +39 049 80 76 762



**HEMPEL**  
AntriebsTechnik

+49 (2154) 4989-37 - pumpe@hem-net.de



**varisco**  
solid pumping solutions

Rif. N°. Pos. Nr.	Quant.	Denominazione	Part name	Den. Comm. Type	Mat.*	Codice Nuovo New Part. no.	JS10-305 G10	JS10-305 Q10	JS10-305 B10	JS10-305 T10
52 (*)	8	Dado	Nut	M 16 DIN 934	S		○			○
					H			○		
					K				○	
52.1 (*)	8	Dado	Nut	M 20 DIN 934	S		○			○
					K			○		○
52.2 (*)	8	Dado	Nut	M 20 DIN 934	S		○			○
					K			○		○
53 (*)	3	Maniglietta	Wrench	M 12	OTS		○	○	○	○
53.1 (*)	4	Maniglietta	Wrench	M 12	OTS		○	○	○	○
53.2 (*)	1	Maniglietta	Wrench	M 20	F		○	○	○	○
54 (*)	2	Vite	Screw	M 16 x 90 DIN 931	S		○	○		○
					H				○	
55	4	Vite	Screw	M8 x 25 DIN 933	S	1000 1938	○	○	○	○
55.1	4	Vite	Screw	M8 x 20 DIN 933	S	1000 1937	○	○	○	○
57 (*)	3	Vite	Screw	M 12 x 40 DIN 912	H		○	○	○	○
58	1	Cuscinetto	Ball bearing	3313	S	1000 1351	○	○	○	○
59	1	Cuscinetto	Ball bearing	NU 312 E	S	1000 1405	○	○	○	○
60	1	Linguetta	Key	16 x 10 x 45 DIN 6885	K	1000 1635	○	○	○	○
61	1	Linguetta	Key	16 x 10 x 90 DIN 6885	S	1000 1603	○	○	○	○
62	1	Ghiera	Lock ring	M 65	S	1000 1577	○	○	○	○
63	1	Ghiera	Sleeve	60 x 70 x 20	F	1000 4161	○	○	○	○
66	1	Rondella	Washer	M 42 DIN 125A	H	1000 6921	○	○		○
					K	1000 6928			○	
67	1	Ingrassatore	Grease nipple	M 6		1000 1664	○	○	○	○
67.1	1	Ingrassatore	Grease nipple	1/4"		1000 1662	○	○	○	○
68.5	1	Tappo	Plug	1/4"	G	1000 2379	○	○		○
70 (*)	1	Ingrassatore Cartuccia Perma	Grease nipple Perma cartridge	1/4"		1000 8316	○	○	○	○
							<b>+P</b>	<b>+P</b>	<b>+P</b>	<b>+P</b>
70.2	1	Manicotto	Union	1/4"			<b>+P</b>	<b>+P</b>	<b>+P</b>	<b>+P</b>
70.3	1	Prolunga	Grease tube	1/4" x 57			<b>+P</b>	<b>+P</b>	<b>+P</b>	<b>+P</b>
71	1	Paraolio	Oil seal	V 70 S		1000 1298	○	○	○	○
(*)	1	Serie viterie	Set of screw			1001 6232	○			○
						1001 6682		○		
						1001 6689			○	
(**)	1	Serie guarnizioni	Set of gaskets		N	10016233	○		○	○
					V	1004 4086		○		
<b>+P***</b>		Kit ingrassatore	Compl. Grease kit			1000 8316	○	○	○	○
<b>+Z***</b>		Kit portine	Set of couver		GZ	1001 4027	○	○		
<b>***</b>		Optional								

Note:	Notes:
1) Completo di prigionieri (47, 48, 48.1, 49), tappo (68.5), spina (01.4).	1) Complete with studs (47, 48, 48.1, 49), plug (68.5), spring pin (01.4).
2) Completo di viti (57)	2) Complete with screws (57)
3) Completo di supporto (06), piede (06.1), vite (06.2) e rondella (06.3).	3) Complete with bearing housing (06), foot (06.1), screw (06.2) and washer (06.3).
4) Completo di linguette (60, 61), dado (33), rondella (66) e ghiera	4) Complete with keys (60, 60.1), nut (33), washer (66) and lock ring
* Materiali di costruzione	* Construction materials
B = Bronzo	B = Bronze
D = Guarnital o fibra	D = Guarnital or fiber
F = Ferro	F = Iron
G = Ghisa	G = Cast iron
G + QPQ = Ghisa + trattamento QPQ	G + QPQ = Cast iron + Quench Polish Quench
H = Acciaio inox AISI 304	H = AISI 304 stainless steel
K = Acciaio inox AISI 316	K = AISI 316 stainless steel
N = Gomma nitrile	N = Nitrile rubber
OTS = Ottone	OTS = Brass
S = Acciaio	S = Steel
V = Viton	V = Viton
Z = Zinco	Z = Zinc
Ordinare il materiale indicando sempre la quantità, la denominazione, il codice del pezzo, il tipo ed il numero della pompa.	When ordering spares always indicate type and serial number of pump, quantity, part name, and number.

VARISCO S.p.A.

35129 Padova – Z.I. Nord Terza Strada, 9

Tel. 049 82 94 111

Fax 049 82 94 373

+39 049 82 94 111  
International +39 049 80 76 762



**HEMPEL**  
AntriebsTechnik

+49 (2154) 4989-37 - pumpe@hem-net.de



**varisco**  
solid pumping solutions

**VARISCO S.p.A.**  
35129 Padova – Z.I. Nord Terza Strada, 9  
Tel. 049 82 94 111 +39 049 82 94 111  
Fax 049 82 94 373 International +39 049 80 76 762



**HEMPEL**  
AntriebsTechnik

+49 (2154) 4989-37 . [pumpen@hem-net.de](mailto:pumpen@hem-net.de)



**varisco**  
solid pumping solutions