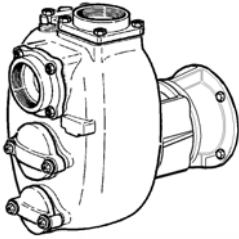
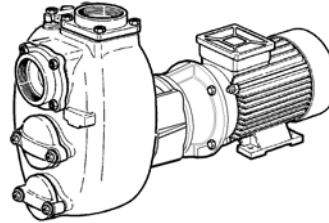


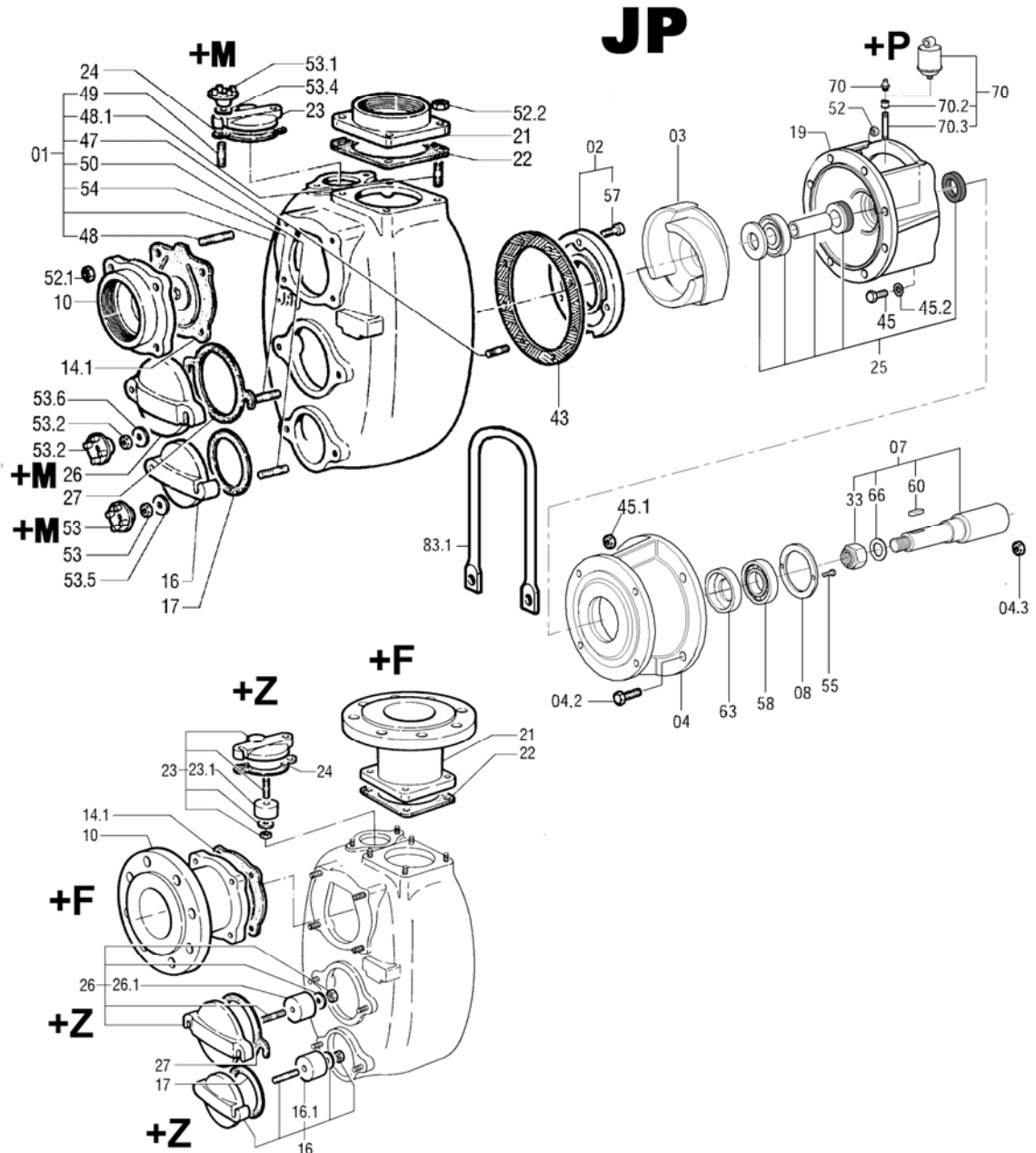
DISTINTA DELLE PARTI COSTITUENTI LE POMPE CENTRIFUGHE AUTOADESCANTI SERIE " J "
SPARE PARTS LIST FOR "J" SERIES SELF-PRIMING PUMPS
LISTE DES PIECES DE RECHANGE POUR POMPES CENTRIFUGES AUTO-AMORCANTES SERIE "J"
ERSATZTEILLISTE FÜR SELBSTANSAUGENDE KREISELPUMPEN SERIE "J"

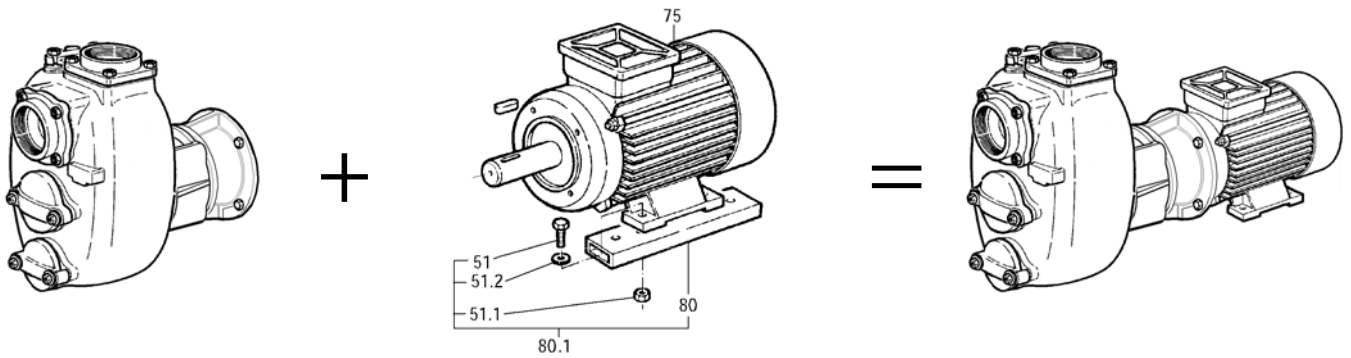


JP 4-160 G10	Code 1000 9306
JP 4-160 Q10	Code 1001 4558
JP 4-160 F10	Code 1002 0583
JP 4-160 P10	Code 1001 4769
JP 4-160 T10	Code 1004 3412



JE 4-160 G10	Code 1004 2938
JE 4-160 Q10	Code 1004 6820
JE 4-160 F10	Code 1004 6821
JE 4-160 P10	Code 1004 6822
JE 4-160 T10	Code 1004 6823





JP

+

MOTORE / MOTOR

=

JE

Rif. N°. Pos. Nr.	Quant.	Denominazione	Part name	Den. Comm. Type	Mat.*	Codice Nuovo New Part No.	JP 4-160 G10	JP 4-160 Q10	JP 4-160 F10	JP 4-160 P10	JP 4-160 T10
01	1	Corpo (1)	Casing (1)		G	1000 8048	○			○	
					G + QPQ	1004 6824				○	
					G	1004 6741		○	○		
02	1	Piatto d'usura (2)	Front wear plate (2)		G	1000 8417				○	
					B	1000 8392		○	○		
					GN	1000 8441	○				
					G + QPQ	1004 6825				○	
03	1	Girante	Impeller		G	1000 5347	○			○	
					B	1000 5235		○			
					K	1000 5420			○		
					G + QPQ	1004 3410				○	
04	1	Campana	Coupling flange		G	10040891	○	○	○	○	○
04.2	4	Vite	Screw	M16 x 50 DIN 933	S	1000 1975	○			○	○
					K			○	○		
04.3	4	Dado	Nut	M16 DIN 934	S	1000 1425	○			○	○
					K	1000 1442		○	○		
07	1	Albero (3)	Shaft (3)		S	1004 0892	○			○	○
					K	1004 3200		○	○		
08	1	Copricuscinetto	Bearing cover		G	1004 0857	○	○	○	○	○
10	1	Portavalvola	Suction flange	R4"	G	1000 6426	○		○	○	○
					OTS	1000 6401		○			
							+F	+F	+F	+F	+F
14.1	1	Valvola completa	Check valve ass.		NH	1000 9032	○				○
					VK	1000 9024		○	○	○	○
16	1	Portina	Cover		G	1000 6474	○		○	○	○
					GZ	1000 8503		○			
					GZ	1000 8503	+Z				+Z
16.1	2	Placca zinco	Zinc anode		Z	1000 3810	+Z				+Z
17 (**)	1	Guarnizione	Gasket								
19	1	Portamotore	Head		G	1000 6304	○	○	○	○	
					G + QPQ	10043392					○
21	1	Flangia mandata	Discharge flange	R4"	G	1000 5094	○		○	○	○
					OTS	1000 5072		○			
							+F	+F	+F	+F	+F
22 (**)	1	Guarnizione	Gasket								
23	1	Portina	Cover		G	1000 6473	○		○	○	○
					GZ	1000 8502		○			
					GZ		+Z				+Z
23.1	1	Placca zinco	Zinc anode		Z	1000 3810	+Z				+Z
24 (**)	1	Guarnizione	Gasket								
25	1	Tenuta completa	Mechanical seal	T 35 YYN T 35 YYV		1000 8836	○				○
						1000 8834		○	○	○	○
26	1	Portina	Cover		G	1000 6475	○		○	○	○
					GZ	1000 8504		○			
					GZ		+Z				+Z

VARISCO S.p.A.

35129 Padova – Z.I. Nord Terza Strada, 9

Tel. 049 82 94 111

Fax 049 82 94 373

International +39 049 80 76 762



HEMPEL
AntriebsTechnik

+49 (2154) 4989-37 - pumpe@hem-net.de

varisco
solid pumping solutions

Rif. N°. Pos. Nr.	Quant.	Denominazione	Part name	Den. Comm. Type	Mat. *	Codice Nuovo New Part No.	JP 4-160 G10	JP 4-160 Q10	JP 4-160 F10	JP 4-160 P10	JP 4-160 T10
26.1	2	Placca zinco	Zinc anode		Z	1000 3810	+Z				+Z
27 (**)	1	Guarnizione	Gasket								
33	1	Dado blocca girante	Impeller nut	M 24 x 2 UNI 7474 M 24 x 2 UNI 7474	H K	1000 1465 1000 1472	○	○	○	○	○
34	1	Anello spartiacque	Water deflector	30 x 85 x 1	H	1000 4111	○		○	○	
43 (**)	2	Guarnizione corpo	Casing gasket								
45	4	Vite	Screw	M 12 x 40 DIN 933 M 12 x 40 DIN 933 M 12 x 30 DIN 933	S K S	1000 1962 1000 2054 1000 1960	○	○			○
45.1	4	Dado	Nut	M 12 DIN 934 M 12 DIN 934	S K	1000 1422 1000 1439	○		○	○	○
45.2	4	Rondella	Washer	M 12 DIN 125A	S K	1000 1699 1000 1706	○		○	○	○
47 (*)	8	Prigioniero	Stud	M 10 x 25 DIN 938 M 10 x 25 DIN 938	S K		○		○	○	○
48 (*)	4	Prigioniero	Stud	M 12 x 30 DIN 938 M 12 x 30 DIN 938	S K		○		○	○	○
48.1 (*)	4	Prigioniero	Stud	M 12 x 30 DIN 938 M 12 x 30 DIN 938	S K		○		○	○	○
49 (*)	2	Prigioniero	Stud	M 10 x 30 DIN 938 M 10 x 35 DIN 938	S K		○		○	○	○
50 (*)	2	Prigioniero	Stud	M 10 x 30 DIN 938 M 10 x 35 DIN 938	S K		○		○	○	○
51	4	Vite	Screw	M 12 x 40 DIN 933	S	1000 1962	○	○	○	○	○
51.1	4	Dado	Nut	M 12 DIN 934	S	1000 1422	○	○	○	○	○
51.2	4	Rondella	Washer	M 12 DIN 125A	S	1000 1699	○	○	○	○	○
52 (*)	8	Dado	Nut	M 10 DIN 934 M 10 DIN 934	S H		○		○	○	○
52.1 (*)	4	Dado	Nut	M 12 DIN 934 M 12 DIN 934	S H		○		○	○	○
52.2 (*)	4	Dado	Nut	M 12 DIN 934 M 12 DIN 934	S H		○		○	○	○
53 (*)	2	Dado	Nut	M 10 DIN 934	S K		○		○	○	○
		Maniglietta	Wrench	M 10	OTS		+M	○			+M
53.1 (*)	2	Dado	Nut	M 10 DIN 934	S K		○		○	○	○
		Maniglietta	Wrench	M 10	OTS		+M	○			+M
53.2 (*)	2	Dado	Nut	M12 DIN 934	S K		○		○	○	○
		Maniglietta	Wrench	M12	OTS		+M	○			+M
53.4 (*)	2	Rondella	Washer	M 10 DIN 125 A	S K		○		○	○	○
53.5 (*)	2	Rondella	Washer	M 10 DIN 125 A	S K		○		○	○	○
53.6 (*)	2	Rondella	Washer	M 12 DIN 125 A	S K		○		○	○	○
54 (*)	2	Prigioniero	Stud	M 12 x 35 DIN 938 M 12 x 35 DIN 938	S K		○		○	○	○
55	4	Vite	Screw	M 6 x 20 DIN 933 M 6 x 20 DIN 933	S K	1000 1933 1000 2023	○		○	○	○
57 (*)	3	Vite	Screw	M 10 x 20 DIN 912 M 10 x 20 DIN 912	H K		○		○	○	○
58	1	Cuscinetto	Ball bearing	6308 2RS		1004 0889	○	○	○	○	○
60	1	Linguetta	Key	8x7x32 DIN 6885 A	K	1000 1624	○	○	○	○	○
63	1	Ghiera	Sleeve		S	1004 0890	○	○	○	○	○
66	1	Rondella	Washer	M 24 DIN 125 A M 24 DIN 125 A	H K	1000 1714 1000 1713	○		○	○	○
70 (*)	1	Ingrassatore	Grease nipple	M 1/4"			○	○	○	○	○
	1	Cartuccia Perma	Perma cartridge	M 1/4"		1000 8316	+P	+P	+P	+P	+P
70.2	1	Manicotto	Union	1/4"	G		+P	+P	+P	+P	+P
70.3	1	Prolunga	Grease tube	1/4"	S		+P	+P	+P	+P	+P



Rif. N°. Pos. Nr.	Quant.	Denominazione	Part name	Den. Comm. Type	Mat.*	Codice Nuovo New Part No.	JP 4-160 G10	JP 4-160 Q10	JP 4-160 F10	JP 4-160 P10	JP 4-160 T10
75	1	Motore	A.C. Motor	11kW 2P V 400-690		1004 2939	○	○	○	○	○
80	2	Piede motore	Motor base			1000 7424	○	○	○	○	○
80.1	1	Kit piede motore	Electric motor foot			1004 3180	○	○	○	○	○
83.1	1	Gancio di sollevam.	Lifting hook		S	1004 6147	○	○	○	○	○
(*)		Serie viterie	Set of screws			1001 4194 1002 0581 1001 4208	○		○		○
(**)		Serie guarnizioni	Set of gaskets			1001 4195 1001 4196 1001 4209	○			○	○
+P***		Kit flange	Kit flange	DN 100 PN16 DN 100 PN16 4" ASA150 4" ASA150	G B G B	1004 2352 1004 2787 1004 2820 1004 2824	○		○	○	○
+P***		Kit ingrassatore	Compl. Grease kit			1000 8316	○	○	○	○	○
+Z***		Kit portine	Set of couver		GZ	1001 4174	○				○
+M***		Kit maniglie	Set of wrench		OTS	1004 2795	○				○
***		Optional									

Note:	Notes:
1) Completo di prigionieri (47, 48, 48.1, 49, 50, 54).	1) Complete with studs (47, 48, 48.1, 49, 50, 54).
2) Completo di viti (57).	2) Complete with screws (57).
3) Completo di linguette (60, 61), dado (33), rondella (66), ghiera (62) e anello spartiacque (34).	3) Complete with keys (60, 61), nut (33), water deflector (34) washer (66), and lock ring (62).
* Materiali di costruzione	* Construction materials
B = Bronzo	B = Bronze
G = Ghisa	G = Cast iron
G+QPQ = Ghisa+QPQ	G+QPQ = Cast iron+Quench Polish Quench
H = Acciaio inox AISI 304	H = AISI 304 stainless steel
K = Acciaio inox AISI 316	K = AISI 316 stainless steel
N = Gomma nitrile	N = Nitrile rubber
OTS = Ottone	OTS = Brass
S = Acciaio	S = Steel
V = Viton	V = Viton
Z = Zinco	Z = Zinc
Ordinare il materiale indicando sempre la quantità, la denominazione, il codice del pezzo, il tipo ed il numero della pompa.	When ordering spares always indicate type and serial number of pump, quantity, part name, and number.

