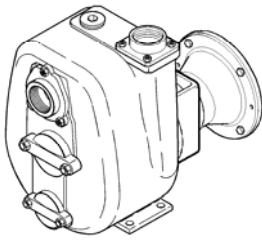
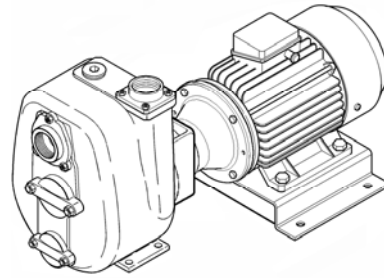


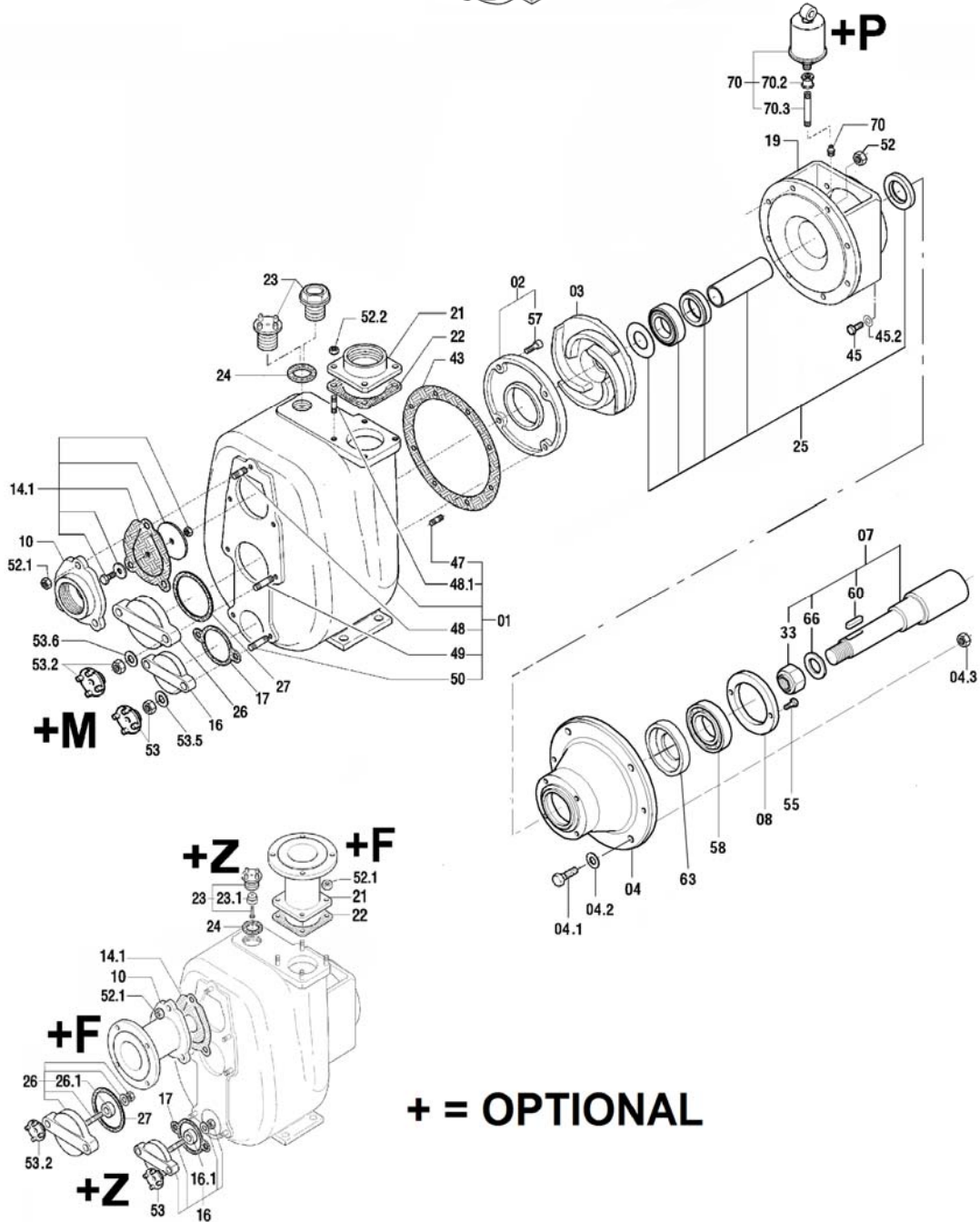
**DISTINTA DELLE PARTI COSTITUENTI LE POMPE CENTRIFUGHE AUTOADESCANTI SERIE " J "**  
**SPARE PARTS LIST FOR " J " SERIES SELF-PRIMING PUMPS**  
**LISTE DES PIECES DE RECHANGE POUR POMPES CENTRIFUGES AUTO-AMORCANTES SERIE " J "**  
**ERSATZTEILLISTE FÜR SELBSTANSAUGENDE KREISELPUMPEN SERIE " J "**

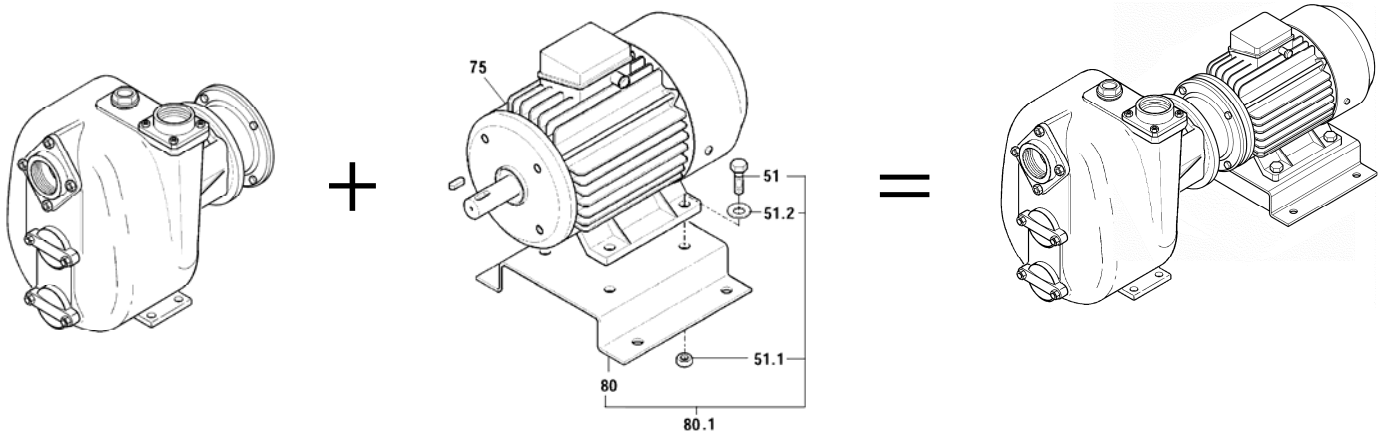


JP 2-170 G10 ETO Code 1004 2201  
 JP 2-170 F10 ETO Code 1004 8533  
 JP 2-170 Q10 ETO Code 1004 8535  
 JP 2-170 P10 ETO Code 1004 8538



JE 2-170 G10 ET20 Code 1004 2930  
 JE 2-170 F10 ET20 Code 1004 7436  
 JE 2-170 Q10 ET20 Code 1004 7438  
 JE 2-170 P10 ET20 Code 1004 7439





JP + MOTORE / MOTOR = JE

Rif. N°. Pos. Nr.	Quant.	Denominazione	Part name	Den. Comm. Type	Mat.*	Codice Nuovo New Part No.	JP 2-170 G10	JP 2-170 F10	JP 2-170 O10	JP 2-170 P10
01	1	Corpo ( 1 )	Casing ( 1 )		G	1001 6936	○			○
					B	1001 6939			○	
					G	1002 7732		○		
02	1	Piatto d'usura ( 2 )	Wear plate ( 2 )		GN	1000 8461	○			
					G	1001 6934				○
					B	1000 8408			○	
					K	1000 8480		○		
03	1	Girante	Impeller		GS	1004 2197	○			○
					B	1004 7217			○	
					K	1004 7216		○		
04	1	Campana	Coupling Flange		G	1004 0905	○	○	○	○
04.1	4	Vite	Screw	M 14 x 55 DIN 934	S	1000 1938	○	○	○	○
04.2	4	Rondella	Washer	M 14 UNI1751/52A	S	1000 1672	○	○	○	○
04.3	4	Dado	Nut	M 14 DIN 934	S	1000 1422	○	○	○	○
07	1	Albero ( 3 )	Shaft ( 3 )		S	1004 0906	○			○
					K	1004 3194		○	○	
08	1	Copricuscinetto	Bearing cover		G	1004 0907	○	○	○	○
10	1	Portavalvola	Suction flange	R2"	G	1000 6417	○			○
					OTS	1000 6396			○	
					K	1000 6445		○		
							+F	+F	+F	+F
14.1	1	Valvola completa	Check valve ass.		NH	1000 9015	○			
					VK	1000 9018		○	○	○
16	1	Portina	Cover		S	1000 6473	○	○		○
					SZ	1000 8502	+Z		○	+Z
16.1	1	Placca zinco	Zinc anode		Z	1000 6574	+Z		○	+Z
17 (**)	1	Guarnizione	Gasket							
19	1	Portamotore	Head		G	1000 6342	○	○	○	○
21	1	Flangia mandata	Discharge flange	R2"	G	1000 5085	○	○		○
					OTS	1000 5068			○	
								+F	+F	+F
22 (**)	1	Guarnizione	Gasket							
23	1	Tappo	Plug	R 1"	S	1000 2386	○	○		○
					OTS+Z	1000 8372	+Z		○	+Z
23.1	1	Placca zinco	Zinc anode		Z	1000 6574	+Z		○	+Z
24 (**)	1	Guarnizione	Gasket							
25	1	Tenuta completa	Mechanical seal	T 30 YYN T 30 YVV		1000 8898	○			
						1000 8899		○	○	○
26	1	Portina	Cover		S	1000 6474	○	○		○
					SZ	1000 8503	+Z		○	+Z
26.1	1	Placca zinco	Zinc anode		Z	1000 6574	+Z		○	+Z
27 (**)	1	Guarnizione	Gasket							
33	1	Dado blocca girante	Impeller nut	M 18 x 1,5 UNI 7474 M 18 x 1,5 UNI 7474	H	1000 1464	○			○
					K	1000 1471		○	○	

VARISCO S.p.A.

35129 Padova - Z.I. Nord Terza Strada, 9

Tel. 049 82 94 111

Fax 049 82 94 373

+39 049 82 94 111  
International +39 049 80 76 762



**HEMPEL**  
AntriebsTechnik

+49 (2154) 4989-37 - pumpe@hem-net.de

**varisco**  
solid pumping solutions

Rif. N°. Pos. Nr.	Quant.	Denominazione	Part name	Den. Comm. Type	Mat.*	Codice Nuovo New Part No.	JP 2-170 G10	JP 2-170 F10	JP 2-170 Q10	JP 2-170 P10
43 (**)	2	Guarnizione corpo	Casing gasket	177 x 219 x 0,5						
45	4	Vite	Screw	M 8 x 25 DIN 933	S	1000 1938	○			○
					K	1000 2029		○	○	
47 (*)	8	Prigioniero	Stud	M 8 x 18 DIN 938	S		○			○
					K			○	○	
48 (*)	3	Prigioniero	Stud	M 10 x 25 DIN 938	S		○			○
					K			○	○	
48.1 (*)	4	Prigioniero	Stud	M 10 x 25 DIN 938	S		○			○
					K			○	○	
49 (*)	2	Prigioniero	Stud	M 10 x 30 DIN 938	S		○			○
					K			○	○	
50 (*)	2	Prigioniero	Stud	M 10 x 30 DIN 938	S		○			○
					K			○	○	
51	4	Vite	Screw	M 10 x 40 DIN 931	S	1000 1951	○	○	○	○
51.1	4	Dado	Nut	M 10 DIN 934	S	1000 1421	○	○	○	○
51.2	4	Rondella	Washer	M 10 DIN 125 A	S	1000 1691	○	○	○	○
52 (*)	8	Dado	Nut	M 8 DIN 934	S		○			○
					K			○	○	
52.1 (*)	3	Dado	Nut	M 10 DIN 934	S		○			○
					K			○	○	
52.2 (*)	4	Dado	Nut	M 10 DIN 934	S		○			○
					K			○	○	
53 (*)	2	Dado	Nut	M 10 DIN 934	S		○			○
					K			○		
		Maniglietta	Wrench	M 10	OTS		<b>+M</b>			<b>○ +M</b>
53.2 (*)	2	Dado	Nut	M 10 DIN 934	S		○			○
					K			○		
		Maniglietta	Wrench	M 10	OTS		<b>+M</b>			<b>○ +M</b>
53.5 (*)	2	Rondella	Washer	M 10	S		○			○
					K			○	○	
53.6 (*)	2	Rondella	Washer	M 10	S		○			○
					K			○	○	
55	2	Vite	Screw	M 6 x 20 DIN 933	S	1000 1933	○	○	○	○
57 (*)	4	Vite	Screw	M 8 x 20 DIN 912	K		○	○	○	○
58	1	Cuscinetto	Ball bearing	6306 -2RS C3		1004 0908	○	○	○	○
60	1	Linguetta	Key	8x7x20 DIN 6885 A	K	1000 1621	○	○	○	○
63	1	Ghiera	Sleeve		S	1004 0751	○	○	○	○
66	1	Rondella	Washer	M 18 DIN 125 A	H	1000 1712	○			○
					K	1000 1711		○	○	
70	1	Ingrassatore	Grease nipple	1/4"		1000 1662	○	○	○	○
	1	Cartuccia Perma	Perma cartridge			1000 1666	<b>+P</b>	<b>+P</b>	<b>+P</b>	<b>+P</b>
70.2	1	Manicotto	Union	1/4"	G	1000 2352	<b>+P</b>	<b>+P</b>	<b>+P</b>	<b>+P</b>
70.3	1	Prolunga	Grease tube	1/4"	S	1000 6955	<b>+P</b>	<b>+P</b>	<b>+P</b>	<b>+P</b>
75	1	Motore V.400-690(3PH)	A.C.MotorV.400-690(3PH)			1004 2928	○	○	○	○
80	1	Piede motore	Motor base			1004 3157	○	○	○	○
80.1	1	Kit piede motore	Electric motor foot			1004 3174	○	○	○	○
(*)		Serie viterie	Set of screws			1001 4357	○			○
						1001 4383			○	
						1001 4387		○		
(**)		Serie guarnizioni	Set of gaskets			1001 4401	○			
						1004 4058			○	
						1001 4413		○		○
<b>+F***</b>		Kit flange	Kit flange	DN 50 PN16	G	1004 2783	○	○		○
				DN 50 PN16	B	1004 2786			○	
				2" ASA150	G	1004 2809	○	○		○
				2" ASA150	B	1004 2805			○	
<b>+P***</b>		Kit ingrassatore	Compl. Grease kit			1000 8316	○	○	○	○
<b>+Z***</b>		Kit portine	Set of couver		GZ	1001 4416	○			○
<b>+M***</b>		Kit manigliette	Set of wrench		OTS	1004 2798	○			○
<b>***</b>		Optional								

VARISCO S.p.A.

35129 Padova – Z.I. Nord Terza Strada, 9

Tel. 049 82 94 111

Fax 049 82 94 373

+39 049 82 94 111

International +39 049 80 76 762



**HEMPEL**  
AntriebsTechnik

+49 (2154) 4989-37 - pumpe@hem-net.de

**varisco**  
solid pumping solutions

<b>Note:</b>		<b>Notes:</b>	
1) Completo di prigionieri (47, 48, 49, 50).		1) Complete with studs (47, 48, 49, 50).	
2) Completo di viti (57).		2) Complete with screws (57).	
3) Completo di linguette (60, 61), dado (33) e rondella (66).		3) Complete with keys (60, 61), nut (33), and washer (66).	
* Materiali di costruzione		* Construction materials	
E3	= Centellen VS3820	E3	= Centellen VS3820
G	= Ghisa	G	= Cast iron
GS	= Ghisa sferoidale	GS	= Ductile cast iron
H	= Acciaio inox AISI 304	H	= AISI 304 stainless steel
K	= Acciaio inox AISI 316	K	= AISI 316 stainless steel
N	= Gomma nitrile	N	= Nitrile rubber
V	= Viton	V	= Viton
OTS	= Ottone	OTS	= Brass
S	= Acciaio	S	= Steel
Z	= Zinco	Z	= Zinc
Ordinare il materiale indicando sempre la quantità, la denominazione, il codice del pezzo, il tipo ed il numero della pompa.		When ordering spares always indicate type and serial number of pump, quantity, part name, and number.	

VARISCO S.p.A.

35129 Padova – Z.I. Nord Terza Strada, 9

Tel. 049 82 94 111

Fax 049 82 94 373

+39 049 82 94 111  
International +39 049 80 76 762



**HEMPEL**  
AntriebsTechnik

+49 (2154) 4989-37 . pumpen@hem-net.de

**varisco**  
solid pumping solutions