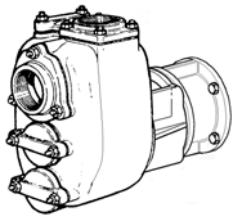
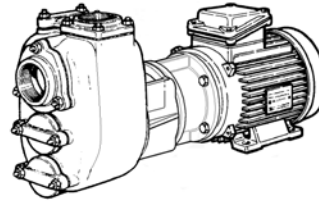


DISTINTA DELLE PARTI COSTITUENTI LE POMPE CENTRIFUGHE AUTODESCANTI SERIE "J"

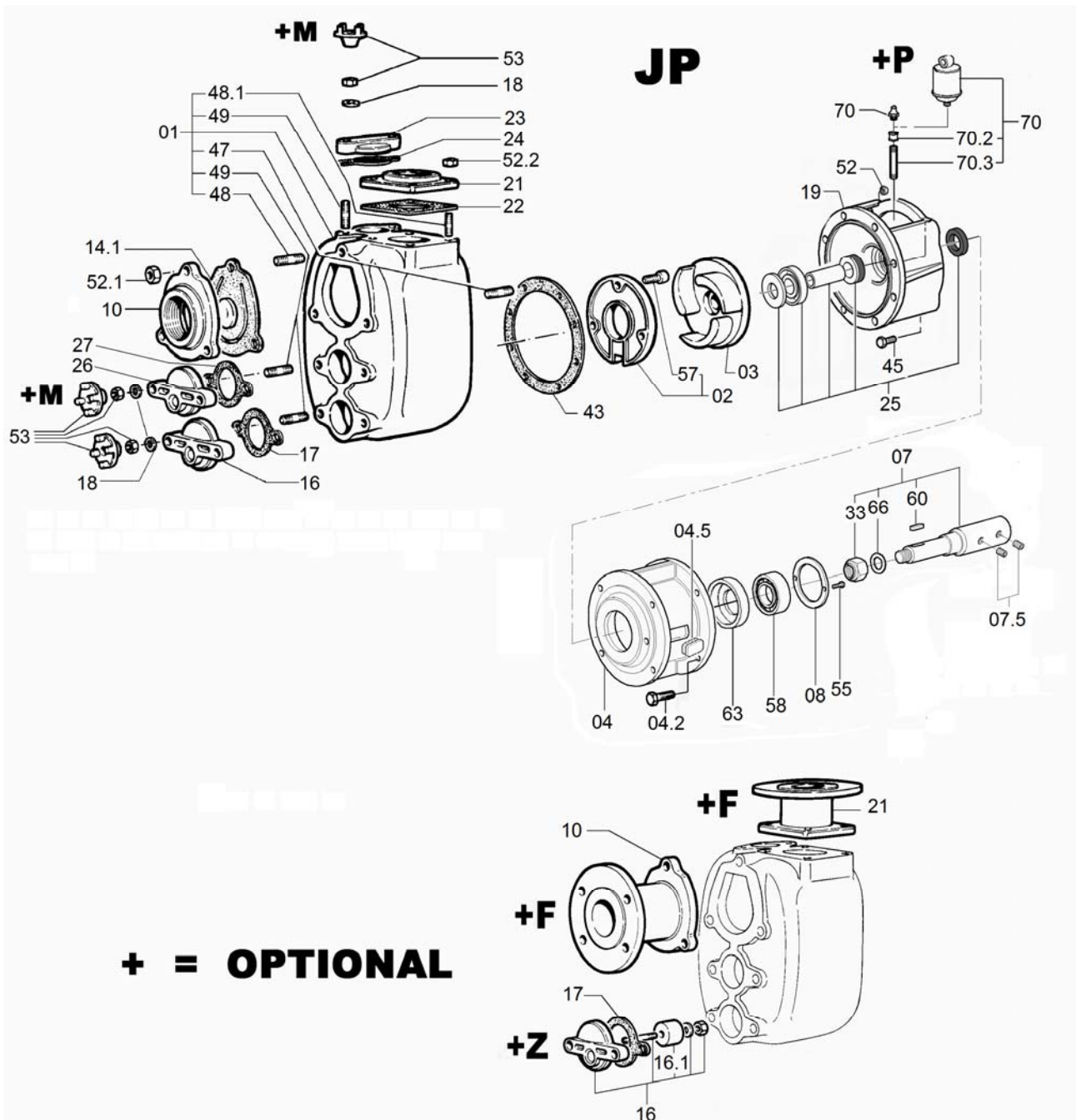
SPARE PARTS LIST FOR "J" SERIES SELF-PRIMING CENTRIFUGAL PUMPS

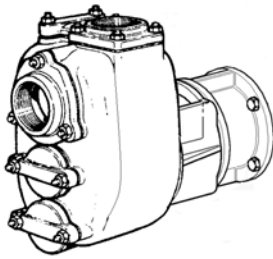


JP 2-120 G10 ETO	COD.1004 0766
JP 2-120 G20 ETO	COD.1004 4387
JP 2-120 B10 ETO	COD.1004 3772
JP 2-120 K10 ETO	COD.1004 3726
JP 2-120 K20 ETO	COD.1004 4152
JP 2-120 Q10 ETO	COD.1004 3774
JP 2-120 P10 ETO	COD.1004 3727
JP 2-120 F10 ETO	COD.1004 3768
JP 2-120 T10 ETO	COD.1004 3776
JP 2-120 L10 ETO	COD.1004 4147
JP 2-120 L20 ETO	COD.1004 4156

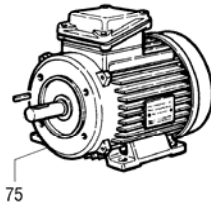


JE 2-120 G10 ET20	COD.1004 3926
JE 2-120 G20 ET20	COD.1004 3593
JE 2-120 B10 ET20	COD.1004 3591
JE 2-120 K10 ET20	COD.1004 3952
JE 2-120 K20 ET20	COD.1004 3954
JE 2-120 Q10 ET20	COD.1004 3598
JE 2-120 P10 ET20	COD.1004 0766
JE 2-120 F10 ET20	COD.1004 3729
JE 2-120 T10 ET20	COD.1004 3590
JE 2-120 L10 ET20	COD.1004 4149
JE 2-120 L20 ET20	COD.1004 4157

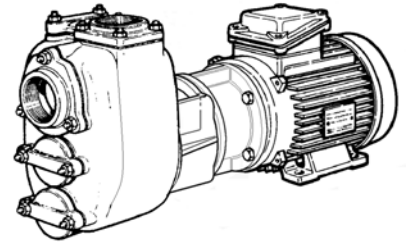




+



=



JP

+

MOTORE / MOTOR

=

JE

Rif. N° Pos. Nr.	Quant.	Denominazione	Part name	Den. Comm. Type	Mat.*	Codice Nuovo New Part no	JP/JE 2-120 G10	JP/JE 2-120 G20	JP/JE 2-120 B10	JP/JE 2-120 K10	JP/JE 2-120 K20	JP/JE 2-120 Q10	JP/JE 2-120 P10	JP/JE 2-120 F10	JP/JE 2-120 T10	JP/JE 2-120 L10	JP/JE 2-120 L20				
01	1	Corpo (1)	Casing (1)		G	1000 8032	○	○					○								
					B	100 19287			○												
					K	1002 0726				○	○										
					KL	1003 4261														○	○
					G	1004 3784										○		○			
					G+QPQ	1004 3785													○		
02	1	Piatto d'usura (2)	Front wear plate (2)		G	1000 8412	○	○					○								
					B	1000 8390			○				○								
					K	1000 8465				○	○					○					
					KL	1003 4262													○	○	
					G+QPQ	1004 3792												○			
03	1	Girante	Impeller		G	1000 5279	○	○					○								
					B	1000 5201			○				○								
					K	1000 5390				○	○										
					KL	1003 3499													○	○	
					G+QPQ	1002 1902												○			
04	1	Campana	Coupling flange		G	1004 0757	○	○	○	○	○	○	○	○	○	○	○				
04.2	4	Vite	Screw	M 8 x 20 DIN 933	S	1000 1937	○	○					○	○	○	○	○				
					K	1000 2027			○	○	○	○	○	○	○	○	○	○			
04.5	1	Tappo	Plug		30 x 25	1005 013	○	○	○	○	○	○	○	○	○	○					
07	1	Albero (3)	Shaft (3)		S	1004 0755	○	○				○	○	○	○	○					
					K	1004 3187			○	○	○	○	○	○	○	○	○	○			
07.5	2	Vite	Screw	M 6 x 10 DIN 916	S	1003 7642	○	○	○	○	○	○	○	○	○	○					
08		Copricuscinetto	Bearing cover		G	1004 0759	○	○	○	○	○	○	○	○	○	○					
10	1	Portavalvola	Suction flange	R 2"	G	1000 6417	○	○					○	○	○	○					
					OTS	1000 6396			○		○										
					K	1000 6445				○	○										
					KL	1003 3502											○	○			
							+F	+F	+F	+F	+F	+F	+F	+F	+F	+F					
14.1	1	Valvola completa (4)	Check valve ass. (4)		NH	1000 9015	○	○	○							○	○				
					VK	1000 9018				○	○	○	○	○	○	○	○	○			
16	1	Portina	Cover		S	1000 6473	○	○					○	○	○	○					
					OTS	1000 3748			○												
					SZ	1000 8502	+Z	+Z				○	+Z		+Z						
					K	1000 2416					○	○					○	○			
16.1	1	Placca zinco	Zinc anode		Z	1000 3810	+Z	+Z				+Z		+Z							
17(**)	1	Guarnizione	Gasket																		
18(*)	2	Rondella	Washer	M 10 DIN 125																	
19	1	Portamotore	Head		G	1000 6300	○						○	○							
					G	1000 6322		○													
					B	1000 6271			○												
					K	1000 6352				○											
					K	1000 6361							○								
					KL	1004 3104												○	○		
					KL	1003 3501														○	
G+QPQ	1002 1903													○							
21	1	Flangia mandata	Discharge flange	R 2"	G	1000 5085	○	○					○	○	○	○					
					OTS	1000 6396			○				○								
					K	1000 6445				○	○										
					KL	1003 3497												○	○		
												+F	+F	+F	+F	+F	+F	+F	+F	+F	
22(**)	1	Guarnizione	Gasket																		

VARISCO S.p.A.

Terza Strada, 9 - Z.I. Nord - 35129 Padova - Italy

Tel. 049 82 94 111

Fax 049 82 94 373

+39 049 82 94 111

International +39 049 80 76 762



HEMPEL
AntriebsTechnik

+49 (2154) 4989-37 - pumpe@hem-net.de



varisco
solid pumping solutions

Rif. N°. Pos. Nr.	Quant.	Denominazione	Part name	Den. Comm. Type	Mat.*	Codice Nuovo Part no	JP/JE 2-120 G10	JP/JE 2-120 G20	JP/JE 2-120 B10	JP/JE 2-120 K10	JP/JE 2-120 K20	JP/JE 2-120 Q10	JP/JE 2-120 P10	JP/JE 2-120 F10	JP/JE 2-120 T10	JP/JE 2-120 L10	JP/JE 2-120 L20			
+ F***		Kit flange (Optional)	Kit flange (Optional)	DN 50 PN16	G	1004 2783	○	○					○	○	○					
				DN 50 PN16	B	1004 2786			○											
				DN 50 PN16	K	1004 2790				○	○									
				DN 50 PN16	KL	1005 3497													○	○
				2" ASA150	G	1004 2809	○	○							○	○	○			
				2" ASA150	B	1004 2805						○								
				2" ASA150	K	1004 2813				○	○									
+ P***		Kit ingrassatore	Compl. Grease kit			1000 8316	○	○	○	○	○	○	○	○	○	○	○			
+ Z***		Kit portine	Set of couver		GZ	1004 2799	○	○					○		○					
+ M***		Kit manigliette	Set of wrench		OTS	1004 2260	○	○					○		○					
***		Optional																		

Note:	Notes:
1) Completo di prigionieri (47, 48,48.1, 49)	1) Complete with studs (47, 48, 48.1, 49)
2) Completo di viti (57)	2) Complete with screws (57)
3) Completo di dado, rondella e linguette (33, 60, 61, 66)	3) Complete with nut, washer and keys (33, 60, 61, 66)
4) Completo valvola, contrappesi, vite e dado	4) Complete with check valve, weights, screw and nut.
* Materiali di costruzione	* Construction materials
G = Ghisa	G = Cast iron
B = Bronzo	B = Bronze
H = Acciaio inox AISI 304	H = AISI 304 stainless steel
K = Acciaio inox AISI 316	K = AISI 316 stainless steel
KL = Acciaio inox AISI 316L	K = AISI 316L stainless steel
N = Gomma nitrile	N = Nitrile rubber
OTS = Ottone	OTS = Brass
S = Acciaio	S = Steel
V = Viton	V = Viton
Z = Zinco	Z = Zinc
Ordinare il materiale indicando sempre la quantità, la denominazione, il codice del pezzo, il tipo ed il numero della pompa.	When ordering spares always indicate type and serial number of pump, quantity, part name, and number.

VARISCO S.p.A.

Terza Strada, 9 - Z.I. Nord - 35129 Padova - Italy

Tel. 049 82 94 111

Fax 049 82 94 373

+39 049 82 94 111

International +39 049 80 76 762



HEMPEL
AntriebsTechnik

+49 (2154) 4989-37 · pumpen@hem-net.de



varisco
solid pumping solutions